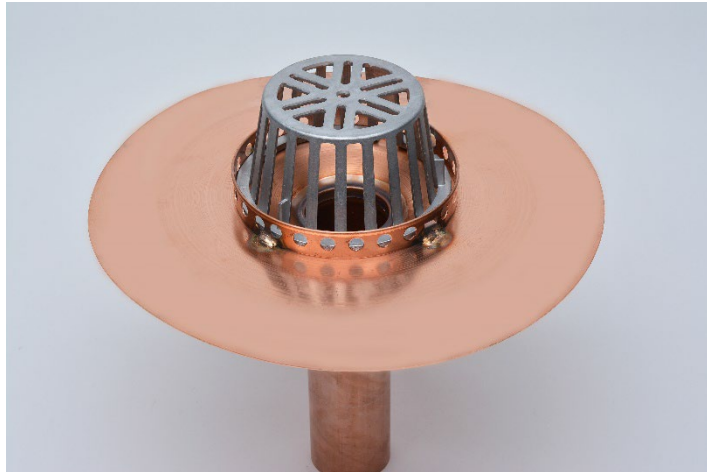


ULTRA PLUS COPPER ROOF DRAIN

DESCRIPTION

The *Ultra Plus* copper roof drain is a set made of *Murphco Ultra** copper drain and of the *Murphco Procast** dome strainer. A copper fixation ring, which also acts as a gravel stop, is fixed permanently to the flange with bronze points soldered with the *MIG* process.

The design of the ring which firmly retains the dome strainer in place makes it a very distinctive roof drain assembly. The strainer may be easily and rapidly installed or removed without the use of tools, simply by rotating the strainer.



Use: recommended for all types of flat roofs; residential, industrial and institutional.

MATERIALS

Drain: *Murphco Ultra** copper roof drain
Ring: 32 oz copper (1.066 mm, 0.042")
Strainer: *Murphco Procast** standard dome strainer without adjustable legs
Grade: industrial, DHP C12200
Solder: *MIG* process solder.

COMPATIBILITY OF MATERIALS

The cast aluminum of the dome strainer is an "active" metal which is likely to corrode, at a minor extent on a long period of time, due to oxidation under wet conditions. Such corrosion shall be negligible, on account of the quality and thickness of the cast aluminum of the *Procast** dome strainer. As for the copper flange, such "passive" metal shall not be altered in quality by its natural oxidation, so that the long term performance of the copper drain is acquired.

DIMENSION

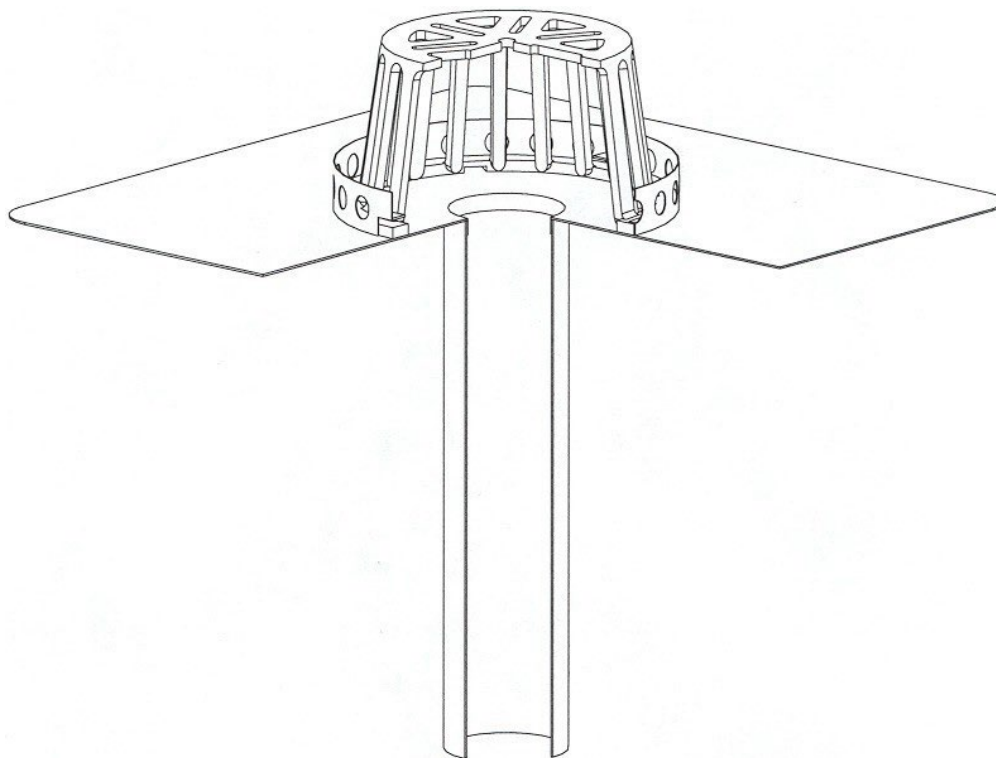
Flange and sleeve: see *Murphco Ultra** copper roof drain technical data;
Strainer: see standard *Murphco Procast** dome strainer technical data;
Ring height: 1" (25 mm) with ½" (12 mm) openings @ 1" (25 mm) c/c.

ULTRA PLUS COPPER ROOF DRAIN

CARACTERISTICS

- This type of drain may be used with any type of B.U.R. membrane;
- For installation recommendation, refer to the *Murphco Ultra** copper roof drain data sheet;
- No mechanical fastening is needed for the dome strainer;
- *Murphco Procast** aluminum dome strainer.

EXPLODED VIEW OF THE *ULTRA PLUS* COPPER ROOF DRAIN



FEATURES AND WARRANTY

- Easy installation of the dome strainer without any tool;
- *Murphco Procast** dome strainer;
- Solid and long lasting retaining system;
- Rigid copper sleeve without joint, clip or vertical solder;
- 32 oz copper flange folded down in the sleeve with the patented *Murphco* punch;
- MIG solder;
- Compatible with U-flow™ seal, clamp collar or flexible coupling sleeve for a maximum flow;
- Durability, quality and commercial grade;
- Guaranteed against corrosion and manufacturing defects.

ULTRA PLUS COPPER ROOF DRAIN

DRAIN SECTION

Scale: 1:5

32 oz copper flange
(0.042", 1.066 mm)

Gravel stop retaining ring with
½" (12 mm) openings

Dome strainer notch

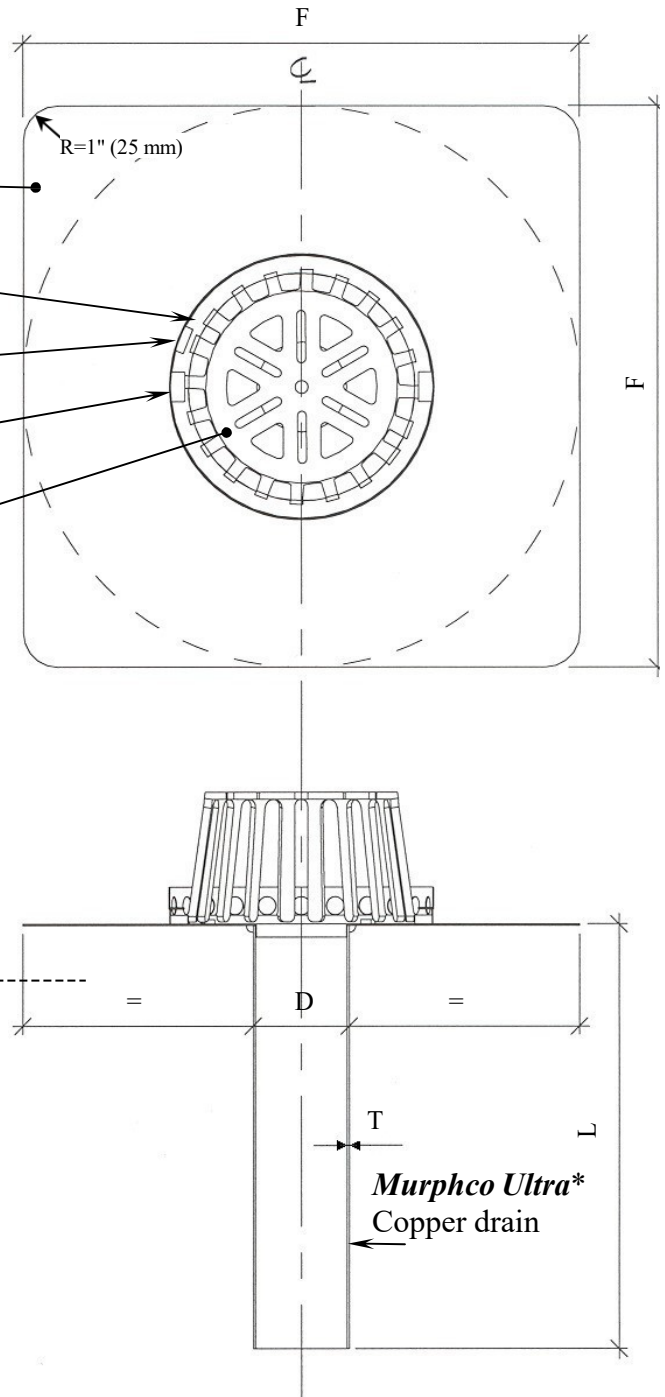
Anchorage tongue

Cast aluminum dome strainer

Solder
(MIG)

Copper
flange folded
down in the
drain sleeve

ASSEMBLY



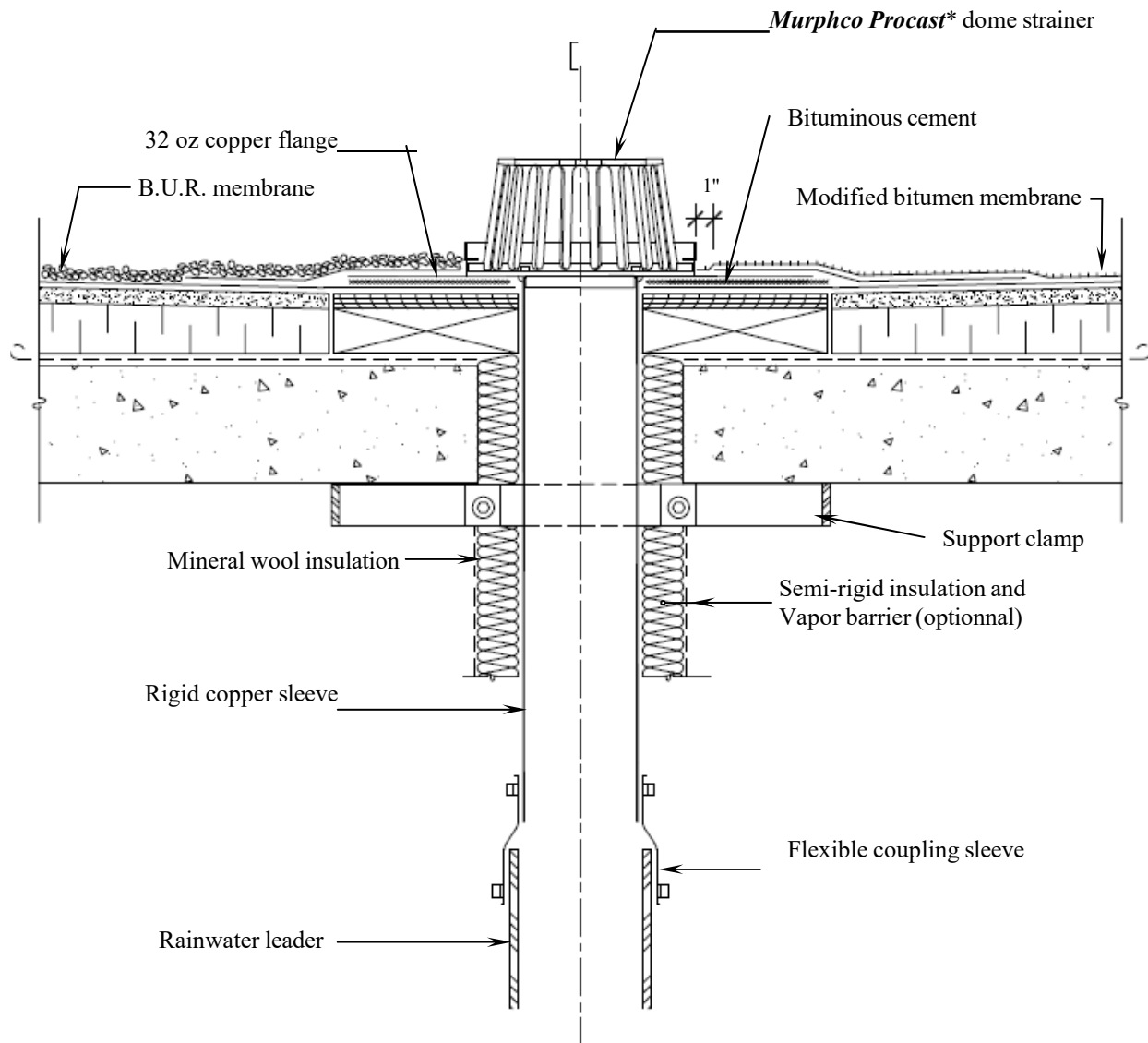
Standard dimensions

D (interior)	T	F	L
2" (51 mm)	0,050" (1,27 mm)	Round 16" (400 mm)	12" & 18" (300 & 457 mm)
2 5/8" (67 mm)	0,050" (1,27 mm)		
3" (76 mm)	0,058" (1,47 mm)		
3 5/8" (92 mm)	0,060" (1,52 mm)		
4" (102mm)	0,058" (1,47 mm)		
4 5/8" (117 mm)	0,060" (1,52 mm)		
5" (127 mm)	0,060" (1,52 mm)		
5 5/8" (143 mm)	0,062" (1,57 mm)		
6" (152 mm)	0,072" (1,83 mm)		

ULTRA PLUS COPPER ROOF DRAIN

TYPICAL DETAIL

Scale: 1:5



Notice to plumbing / roofing contractor: When a copper drain sleeve must be cut for adjustment to appropriate length, avoid the use of vibrating tools that could generate fissures in the copper flange or sleeve along the solder. Rather utilize a circular cutter.

ULTRA PLUS COPPER ROOF DRAIN

DESIGNED AND MANUFACTURED BY LES PRODUITS MURPHCO LTÉE

Technical assistance or further information may be obtained from:



Manufacturier et spécialiste de drains de toiture
Boutique de Métal en feuille

4955, rue Brock Montréal, Qc, H4E 1B5

Tél : (514) 937-3275 Fax : (514) 937-6797

Site web : www.produitsmurphco.com Courriel : info@produitsmurphco.com

DOCUMENTATION PREPARED WITH THE TECHNICAL COOPERATION OF:

Englobe

1200, boul. Saint-Martin Ouest, bureau 400
Laval (Québec) H7S 2E4
T 514.281.5173
F 450.668.5532
info@englobecorp.com

NOTICE

The information and specification provided in this document are applicable at time of publication. They are condensed from the exact results obtained through real tests and field experience, but may not be construed as implying any absolute and final dictate on our part. **Les Produits MURPHCO Ltée** Reserves the right to modify, without notice, the information provided in the present document, as a result of its research and development policy on its products.

* Mark of Les produits Murphco Ltée, see appropriate technical data sheet

PAGE 5 of 5