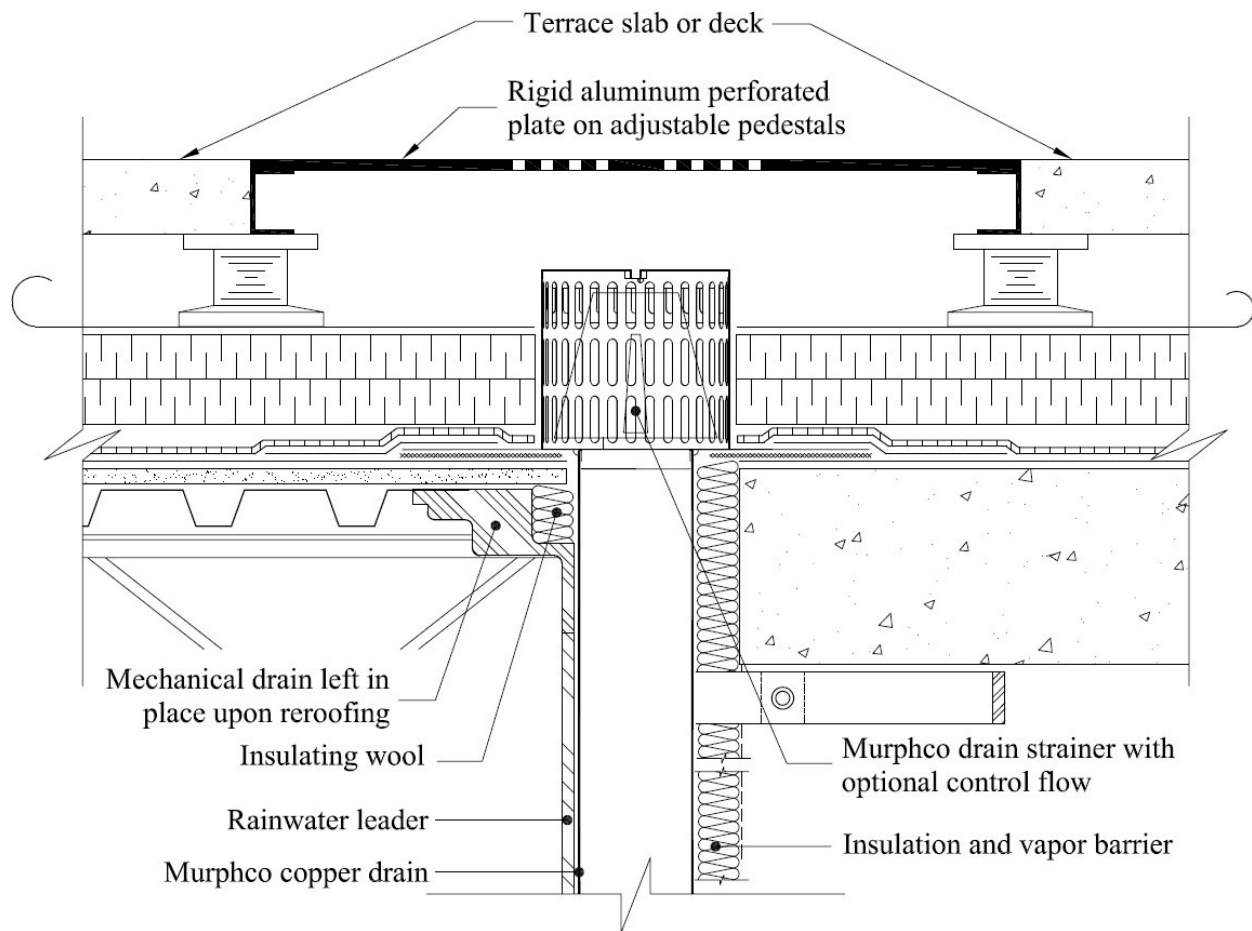


## DRAINAGE PLATE FOR ROOF TERRACE

TYPICAL DETAIL (EXAMPLE) :



### FEATURES :

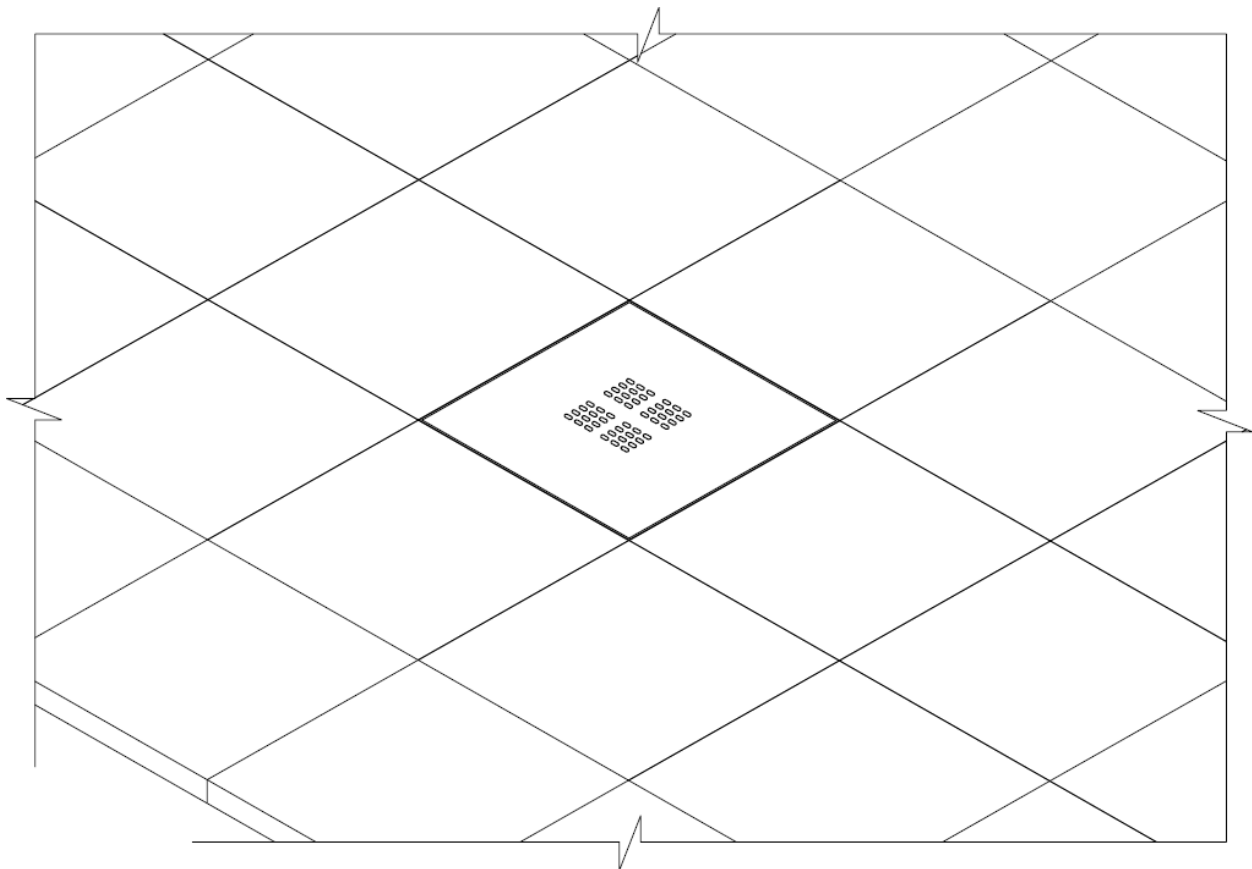
The Murphco drainage plate offers the following advantages:

- surface terrace water rapidly evacuated directly to roof drain;
- plate easily removable for drain cleaning;
- each plate identifies a drain location;
- rigid, clean and showing a good appearance;
- long term resistance, anti-corrosion;
- easy installation.

## DRAINAGE PLATE FOR ROOF TERRACE

### DESCRIPTION :

Perforated plate for drainage of terrace roof, manufactured by *Les Produits Murphco Ltée*, from rigid aluminum plate, same dimensions and thickness as the regular adjacent terrace slabs or terrace deck. The drainage plate is perfectly integrated to the terrace slab's assembly, being placed directly above the drain opening of a roof terrace.



### SUPPLIED :

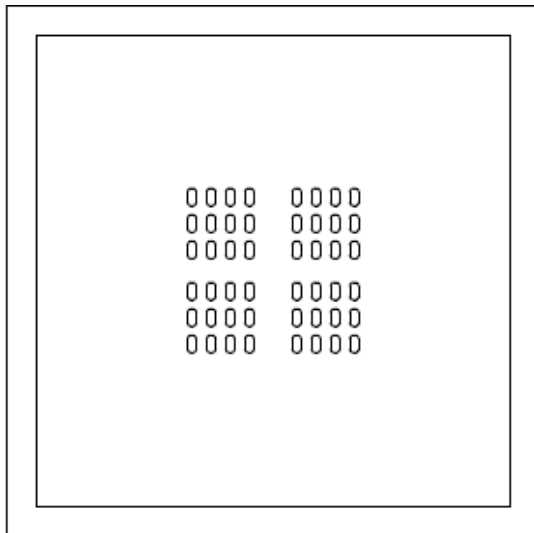
Rigid aluminum plate 1/4" thick (6.35 mm), perforated by 48 holes of 5/16" x 5/8" (7.94 mm x 15.88 mm), supported by a rigid and continuous aluminum frame on the four sides.

## DRAINAGE PLATE FOR ROOF TERRACE

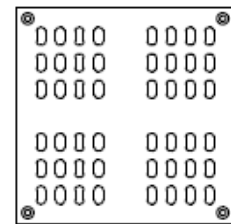
### PARTICULARITIES :

Shop fabricated at Murphco plant from 1/4" (6.35 mm) thick grade 3003 aluminum plate. The aluminum frame is spot welded on the four sides with the MIG welding process. Fully anti-corrosive and distorsion-proof.

#### STANDARD PERFORATED PLATE



#### OPTIONAL PERFORATED TILE

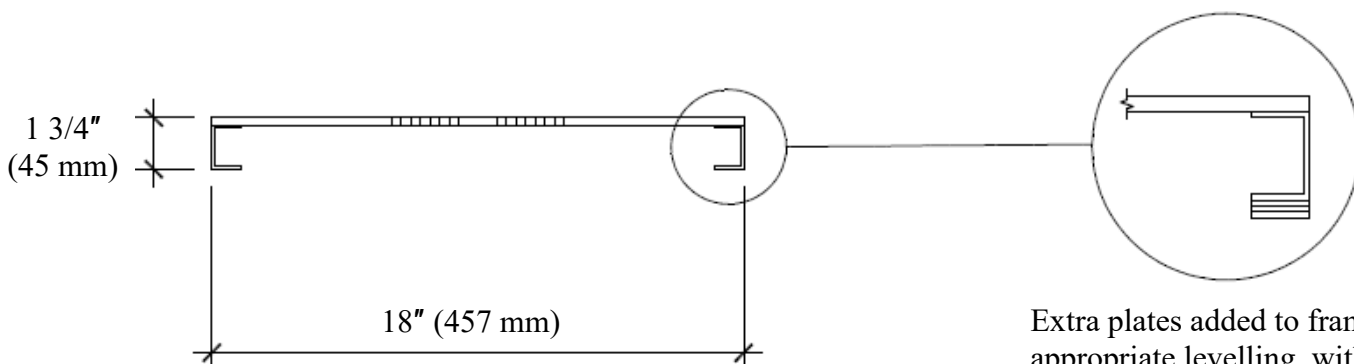


Upon request, the drainage plate may be prepared in the form of a drainage tile screwed in place.



#### Dimensions :

18" (457 mm) x 18" (457 mm) x 1 3/4" (45 mm)  
or other dimensions on request



Extra plates added to frame for appropriate levelling, with adjacent tiles. PAGE 3 of 4

## DRAINAGE PLATE FOR ROOF TERRACE

DESIGNED AND MANUFACTURED BY LES PRODUITS MURPHCO LTÉE

---

Technical assistance or further information may be obtained from:



Manufacturier et spécialiste de drains de toiture

Boutique de Métal en feuille

4955, rue Brock Montréal, Qc, H4E 1B5

Tél : (514) 937-3275 Fax : (514) 937-6797

Site web : [www.produitsmurphco.com](http://www.produitsmurphco.com) Courriel : [info@produitsmurphco.com](mailto:info@produitsmurphco.com)

DOCUMENTATION PREPARED WITH THE TECHNICAL COOPERATION OF:

---

### Englobe

1200, boul. Saint-Martin Ouest, bureau 400

Laval (Québec) H7S 2E4

T 514.281.5173

F 450.668.5532

[info@englobecorp.com](mailto:info@englobecorp.com)

### NOTICE

---

The information and specification provided in this document are applicable at time of publication. They are condensed from the exact results obtained through real tests and field experience, but may not be construed as implying any absolute and final dictate on our part. **Les Produits MURPHCO Ltée** Reserves the right to modify, without notice, the information provided in the present document, as a result of its research and development policy on its products.