

MAXI PLUMBING VENT

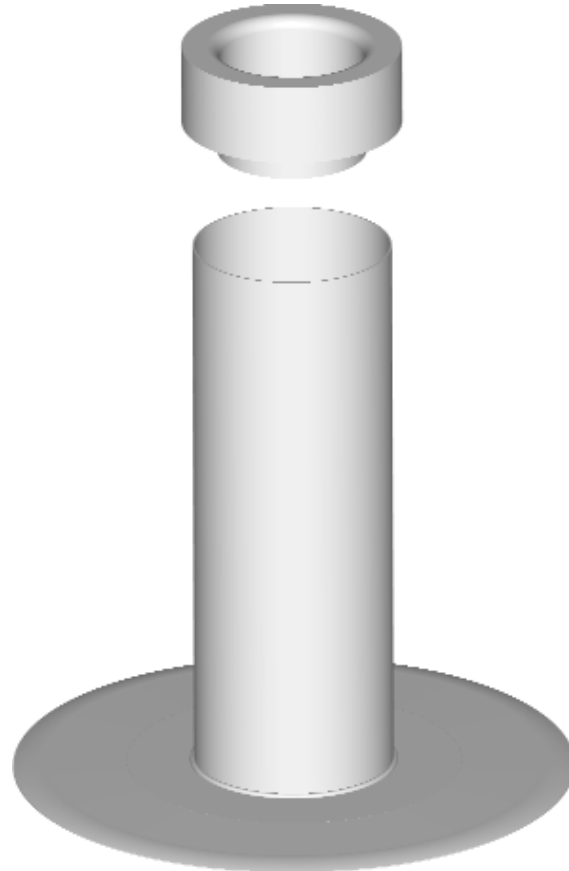
DESCRIPTION

The Murphco Maxi plumbing vent is composed of a high gauge and rigid aluminum sleeve and soldered aluminum flange for waterproofing vent pipes.

It is selected for its high resistance on the inverted roof system, garden-roofs, terraces-roofs where the roof is exposed to heavy shocks.

Both aluminum sleeve and flange are then assembled with a continuous circular aluminum solder joint, above the flange. This solder joint cannot be melted when it is heated by a blowtorch at time of application of modified bitumen membranes so that the assembly remains strong for maximal durability.

The corresponding spun aluminum cap completes the vent waterproofing in a simple application.



Use: recommended for all types of flat roofs: industrial, inverted system with protected membrane, garden roofs, terrace-roofs, etc.

MATERIALS

Aluminum:	Series 1100 Sleeve thickness: 0.125" (3.18 mm)
Norm:	- The rigid Sleeve is certified to ASTM B221 standard Cap thickness: 0.064" (1.62 mm) Flange: 0.064" (1.62 mm)

SLEEVE, FLANGE AND CAP COLOR

Color: bare aluminum

MAXI PLUMBING VENT

DIMENSION

Flange: - Circular: 16 1/2" (420 mm).

Sleeve: - Standard length: 18" (460 mm).
- Diameter: 5" (127 mm).

Longer sleeves available on request (delivery delay may apply).

INSTALLATION

Sleeve:

This type of sleeve is used on roofs covered with B.U.R. asphalt felt and gravel surface membranes and modified bitumen membranes.

The Murphco Maxi plumbing vent is mainly designed to waterproof any circular conduct (vent) having an exterior diameter of 4" (100mm). Other dimensions on request.

To seal the sleeve to the membrane, it is recommended to prime the base flange on both faces, with a primer compatible with the membrane materials. Set the base flange of the sleeve into a layer of bituminous cement compatible with the membrane materials.

To complete the flashing of the flange to an asphalt felt membrane apply 2 plies of heavy duty cotton fabric and a top ply no.15 asphalt felt, each one applied into hot bitumen.

For a modified bitumen membrane, apply a reinforcing ply on the flange from the base of the sleeve to 6" out of the edge of the flange, then apply the cap sheet continuously, Apply a circular elastomeric caulking joint around the sleeve on the finished membrane. *

For an E.P.D.M. membrane, strictly follow the installation procedures recommended by the membrane manufacturer.

Cap:

The cap serves to maintain the vent pipe waterproofing of the space between the top of the conduct (vent) and the aluminum sleeve

* Suivre les recommandations du fabricant de membrane

MAXI PLUMBING VENT

INSTALLATION (cont'd)

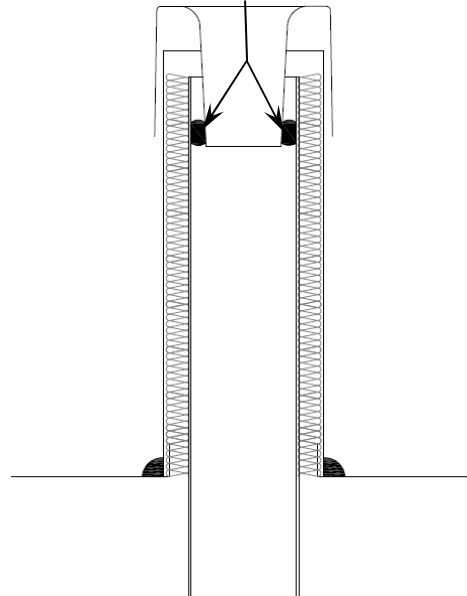
The caps are used to secure waterproofing of the vent pipe.

Closed cap model can be manufactured on request to permanently block all types of sleeves.

In this case, the spun aluminum sleeve must be full of mineral wool to prevent condensation.

Prior to cap application, it is recommended to apply a continuous bituminous cement ribbon or a compatible caulking ribbon between the interior surface of the cap and the pipe, in order to prevent the highly probable condensation water to return into the space between the pipe and the sleeve.

When this caulking joint is dry, it retains the cap in place against vandalism.



COMPATIBILITY OF MATERIALS

Aluminum is an "active" metal which is likely to corrode, at a minor extent on a long period of time, due to oxidation under wet conditions. Such corrosion shall be negligible, on account of the quality and thickness of the pre-cast aluminum.

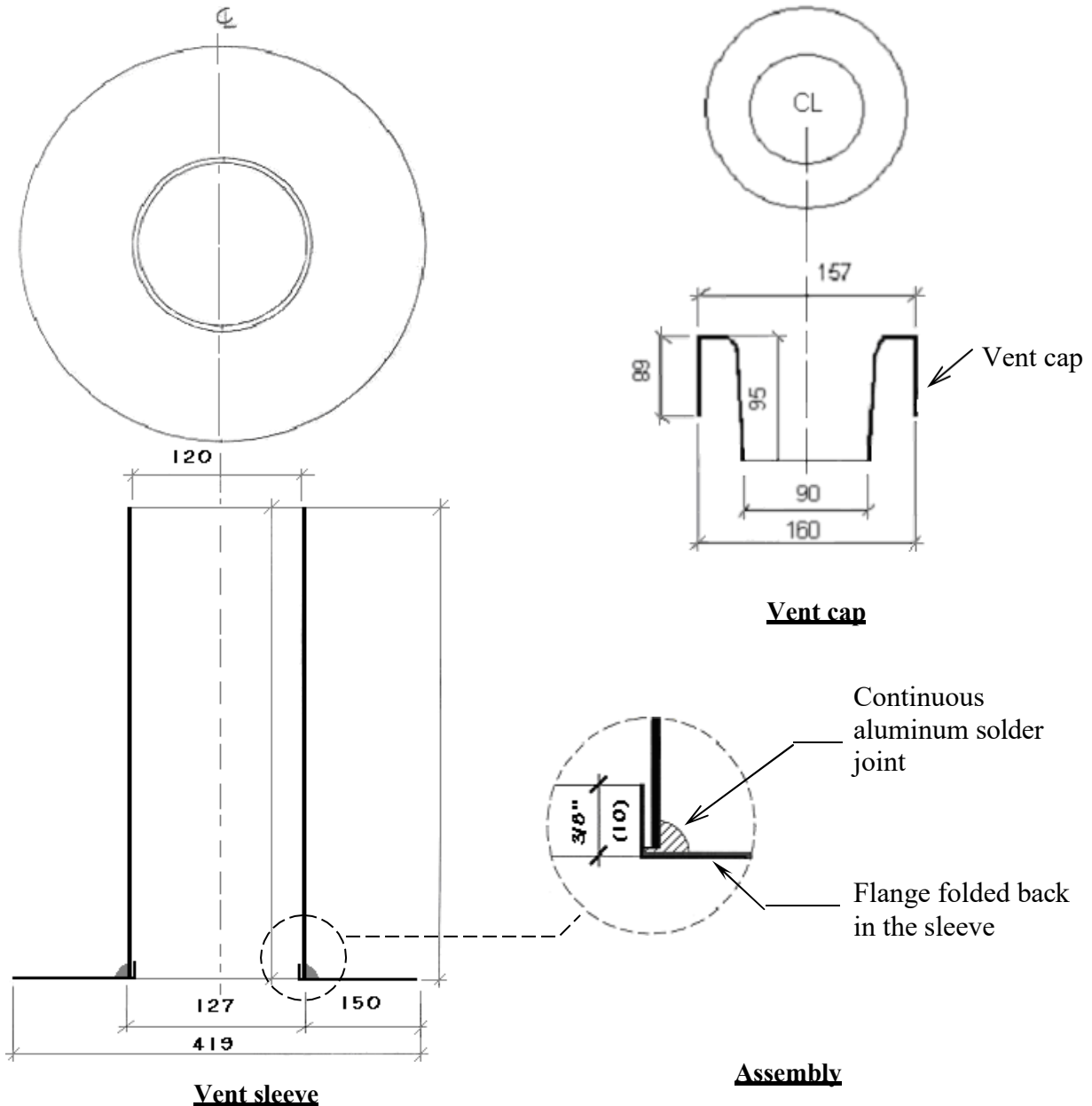
ADVANTAGES AND WARRANTY

- Aluminum vent sleeve, without fabrication joint;
- Aluminum flange folded down in the sleeve with the patented Murphco punch;
- Without fabrication joint;
- Shock resistant;
- Easy and fast to install;
- Anti-vandalism;
- Guaranteed against corrosion;
- Guaranteed against fabrication defects.

MAXI PLUMBING VENT

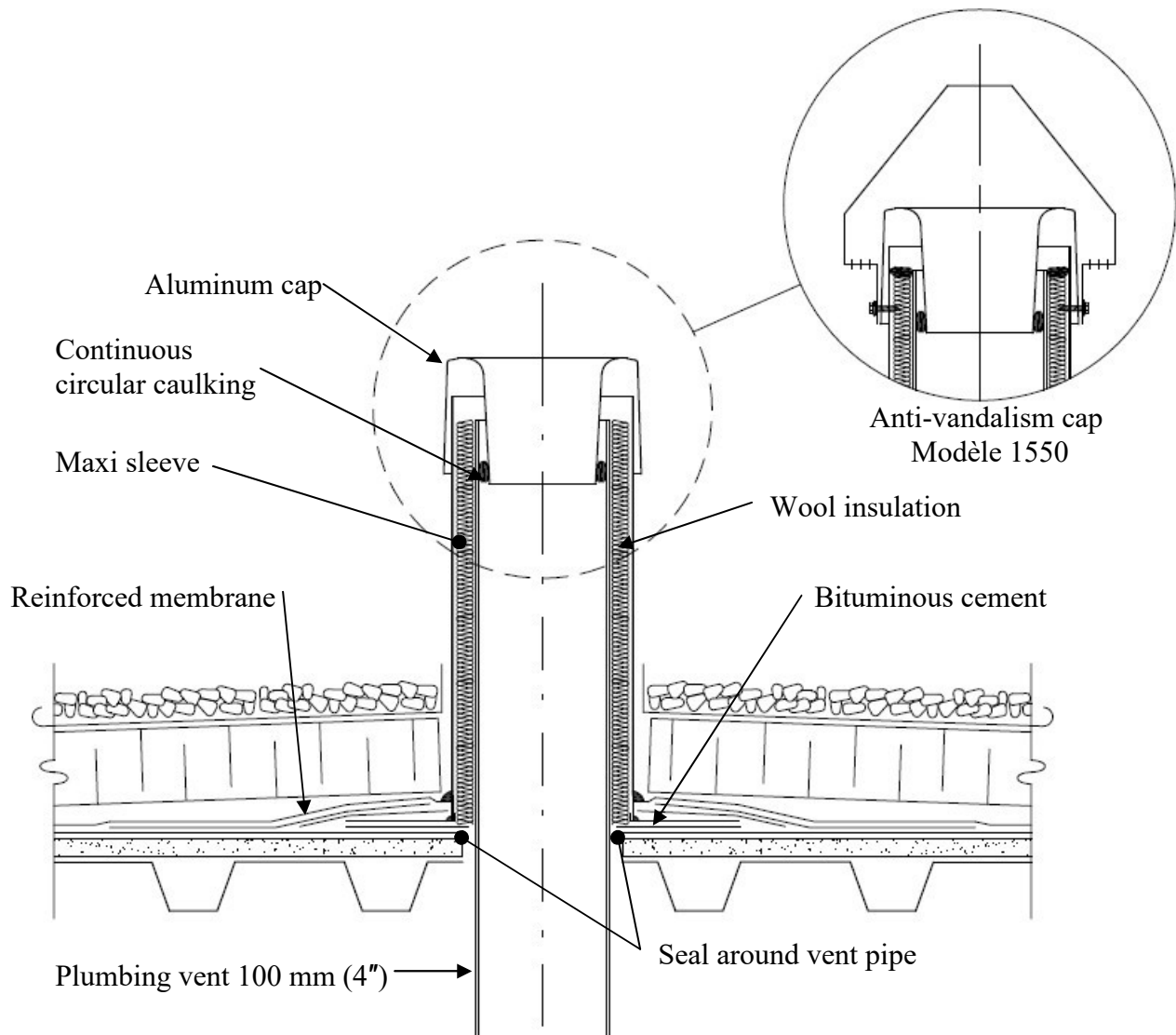
VENT DETAIL

(All dimensions are in millimeters)



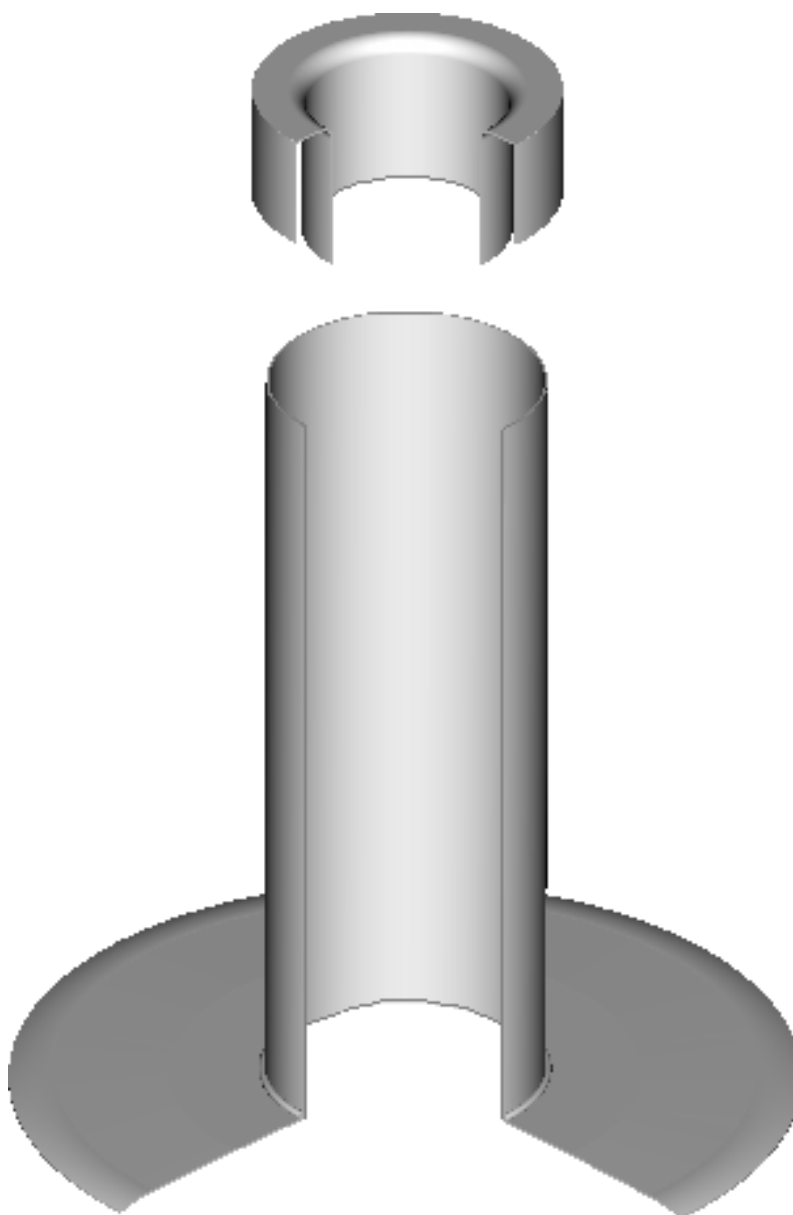
MAXI PLUMBING VENT

TYPYCAL DETAIL



MAXI PLUMBING VENT

EXPLODED VIEW OF THE MAXI PLUMBING VENT



MAXI PLUMBING VENT

DESIGNED AND MANUFACTURED BY LES PRODUITS MURPHCO LTÉE

Technical assistance or further information may be obtained from:



Manufacturier et spécialiste de drains de toiture
Boutique de Métal en feuille

4955, rue Brock Montréal, Qc, H4E 1B5

Tél : (514) 937-3275 Fax : (514) 937-6797

Site web : www.produitsmurphco.com Courriel : info@produitsmurphco.com

DOCUMENTATION PREPARED WITH THE TECHNICAL COOPERATION OF:

Englobe

1200, boul. Saint-Martin Ouest, bureau 400
Laval (Québec) H7S 2E4

T 514.281.5173

F 450.668.5532

info@englobecorp.com

NOTICE

The information and specification provided in this document are applicable at time of publication. They are condensed from the exact results obtained through real tests and field experience, but may not be construed as implying any absolute and final dictate on our part. **Les Produits MURPHCO Ltée** Reserves the right to modify, without notice, the information provided in the present document, as a result of its research and development policy on its products.