

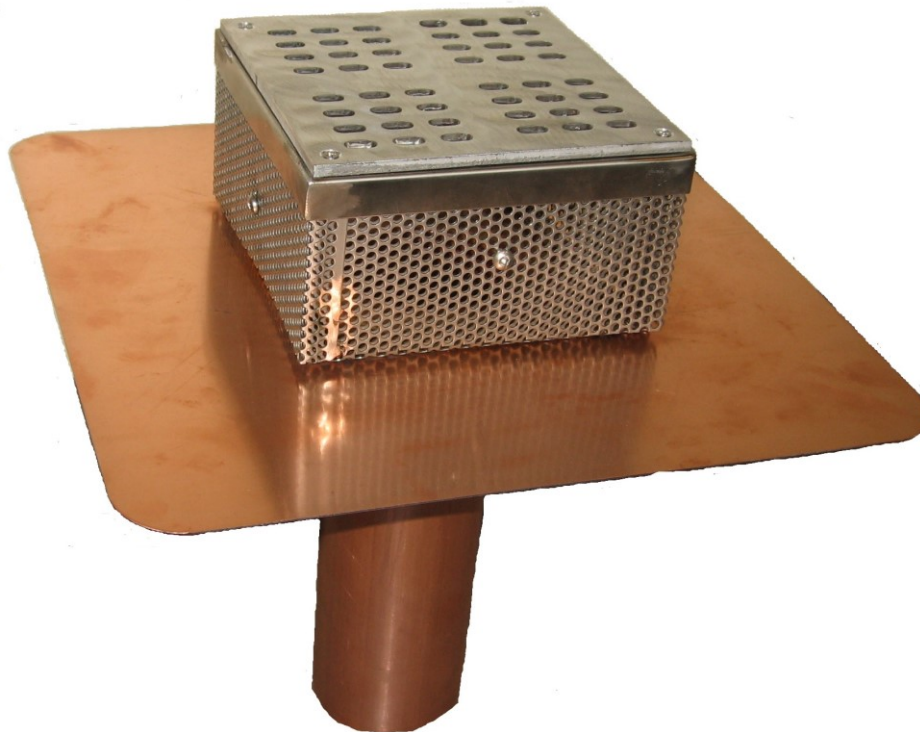
SQUARE DRAIN BASKET FOR ROOF TERRACE

DESCRIPTION

Square drainage plate and basket for terrace on a flat conventional roof, manufactured by *Les Produits Murphco Ltée*, from rigid aluminum plate, perforated to form a surface drainage grill, and from stainless steel supports forming the 4 side vertical grill.

Such square drain basket, being permanently shop-assembled to a rigid copper drain flange at the *Murphco* plant, can be easily installed like a regular copper drain.

The surface grill may be unscrewed and easily removed to clean the drain opening.

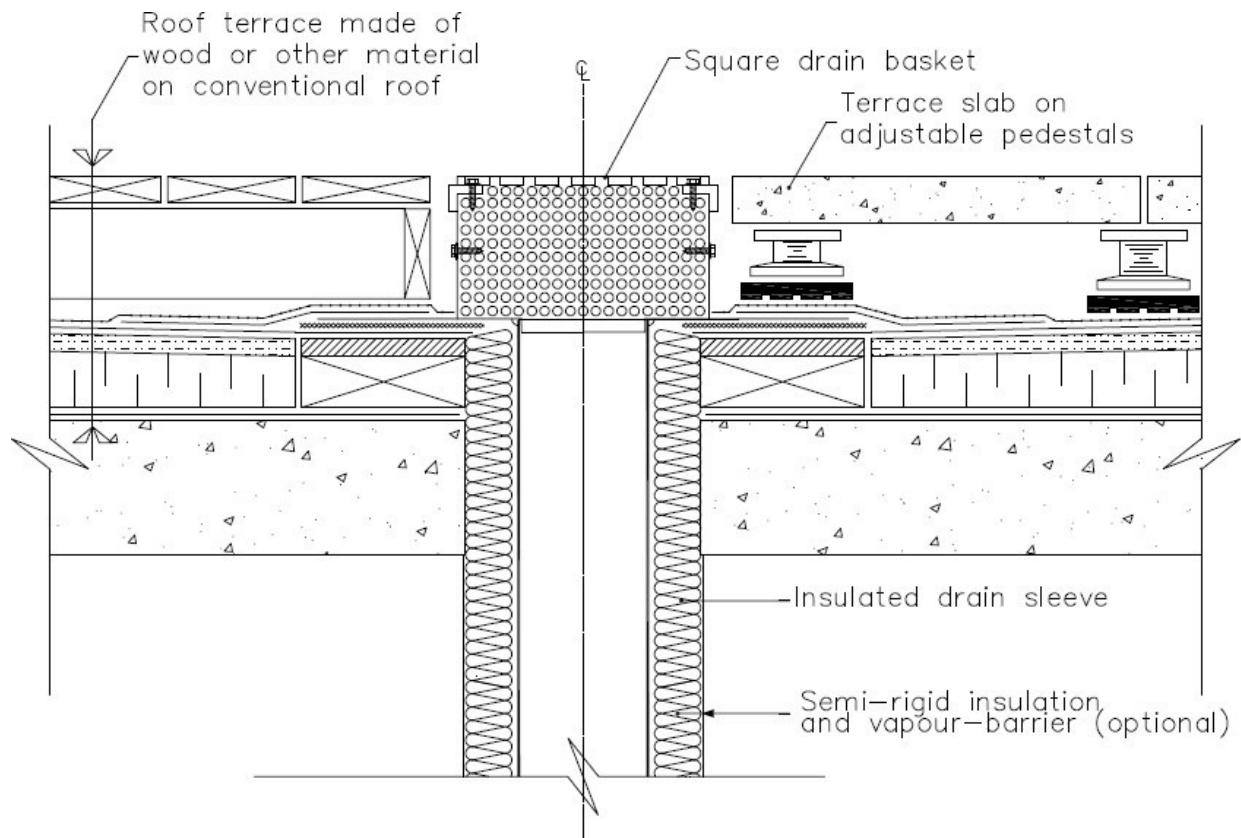


SUPPLIED

Rigid aluminum plate 1/4" thick (6.35 mm), perforated by 48 holes of 5/16" x 5/8" (7.94 mm x 15.88 mm), supported by a rigid stainless steel frame and rigid stainless steel lateral grill on the four sides, spot welded to the square copper drain flange.

SQUARE DRAIN BASKET FOR ROOF TERRACE

TYPICAL DETAIL



FEATURES :

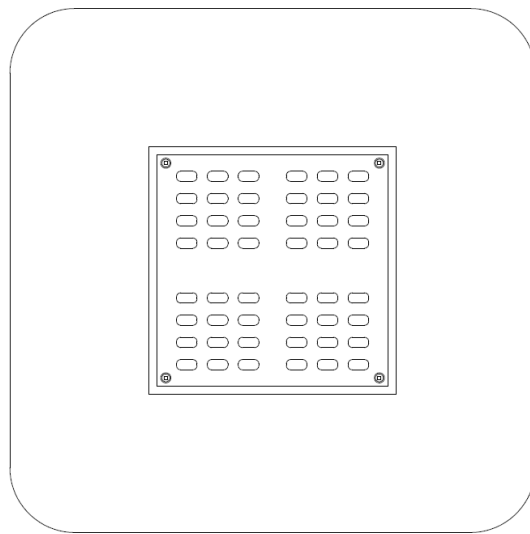
The **Murphco** Square Drain Basket offers the following advantages:

- surface terrace water rapidly evacuated directly to roof drain;
- plate easily removable for drain cleaning;
- rigid, clean and showing a good appearance;
- long term resistance, anti-corrosion;
- preassembled at **Murphco** plant;
- easy installation;
- each plate identifies a drain location.

SQUARE DRAIN BASKET FOR ROOF TERRACE

PARTICULARITIES :

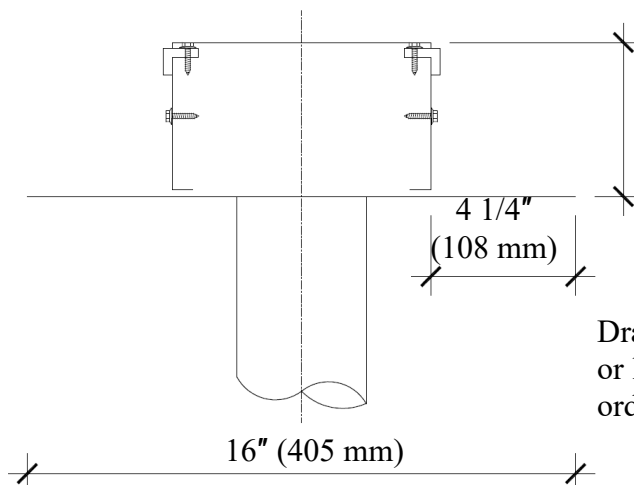
The square surface grill is shop fabricated at *Murphco* plant from 1/4" (6.35 mm) thick, grade 3003 aluminum plate. The four-side frame is made of stainless steel angle M.I.G. soldered. The four-side supports of adjustable height are made of a double stainless steel grill screwed at the requested height, filtering the lateral debris. Such assembly is then spot welded to the square 32 ounce *Murphco* copper drain flange (M.I.G. process).



48 holes grill of 5/16" x 5/8"
opening (7.94 mm x 15.8 mm)

Dimensions :

- Surface : 7 1/2" x 7 1/2" (191 mm x 191 mm)
- Copper drain flange : 16" x 16" (405 mm x 405 mm)
- Stainless steel screws : 4 on top; 4 on sides



Standard height:
4 1/2" (114 mm) @ 6" (152 mm)

Drain basket height of 4" (102 mm)
or less may be prepared on special
order.

SQUARE DRAIN BASKET FOR ROOF TERRACE

DESIGNED AND MANUFACTURED BY LES PRODUITS MURPHCO LTÉE

Technical assistance or further information may be obtained from:



Manufacturier et spécialiste de drains de toiture

Boutique de Métal en feuille

4955, rue Brock Montréal, Qc, H4E 1B5

Tél : (514) 937-3275 Fax : (514) 937-6797

Site web : www.produitsmurphco.com Courriel : info@produitsmurphco.com

DOCUMENTATION PREPARED WITH THE TECHNICAL COOPERATION OF:

Englobe

1200, boul. Saint-Martin Ouest, bureau 400

Laval (Québec) H7S 2E4

T 514.281.5173

F 450.668.5532

info@englobecorp.com

NOTICE

The information and specification provided in this document are applicable at time of publication. They are condensed from the exact results obtained through real tests and field experience but may not be construed as implying any absolute and final dictate on our part. **Les Produits MURPHCO Ltée** Reserves the right to modify, without notice, the information provided in the present document, as a result of its research and development policy on its products.