

ULTRA SELECT COPPER ROOF DRAIN

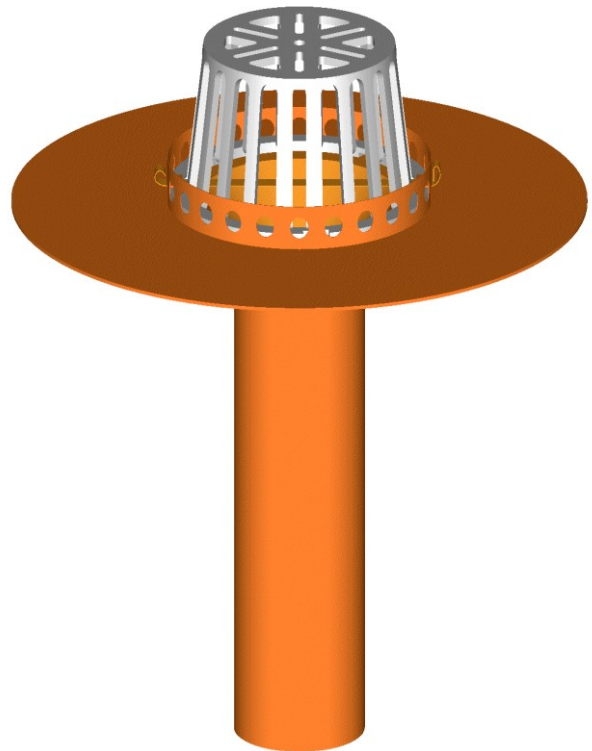
DESCRIPTION

The *Ultra Select* copper roof drain is an assembly made of a rigid copper sleeve soldered to a 32oz copper flange equipped with an integrated contoured funnel shaped sump and of the *Murphco Procast** dome strainer. A copper fixation ring, which also acts as a gravel stop, is fixed permanently to the flange with bronze points soldered through the *MIG* process.

The design of the ring which firmly retains the dome strainer in place makes it a very distinctive roof drain assembly. The dome strainer may be easily and rapidly installed or removed without the use of tools, by simple rotation.

Options :

- ANTI-VANDALISM: There is a possibility to secure the strainer in place with a copper lock strip placed through the dome strainer and the gravel stop ring.



Use: recommended for all types of flat roofs (residential, industrial and commercial).

MATERIALS ND DIMENSIONS

Flange:	32 oz copper, thickness: 1.066 mm (0.042")
Sleeve:	rigid copper pipe for drains of 2" (51 mm), 2 5/8" (67 mm), 3" (76 mm), 3 5/8" (92 mm) & 4" (102 mm) of interior diameter; for thickness, see table on page 3;
Contoured sump:	1" deep (25 mm) and 7 1/2" wide (188 mm);
Ring:	32 oz cooper strip (1,066 mm, 0,042"), 1" (25 mm) height with 1/2" (12 mm) opening @ 1" (25 mm) c/c ;
Strainer:	<i>Murphco Procast*</i> aluminum strainer without adjustable legs;
Lock strip:	copper strip: 1/2" (12 mm) wide by 9 1/2" (241 mm) long;
Grade:	industrial, DHP C12200;
Solder:	<i>MIG</i> process solder.

ULTRA SELECT COPPER ROOF DRAIN

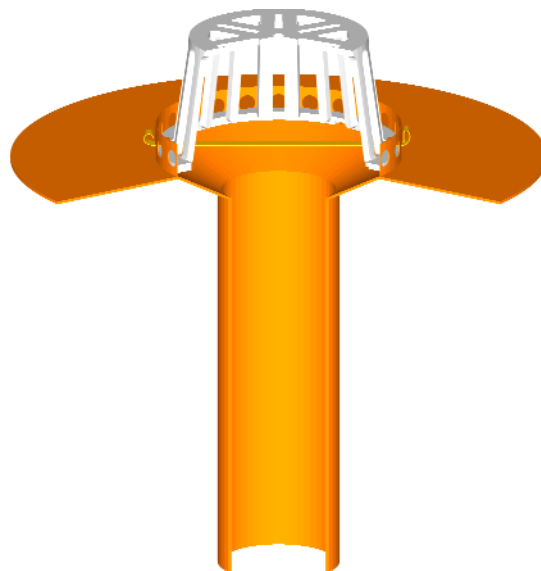
COMPATIBILITY OF MATERIALS

The aluminum of the dome strainer is an "active" metal which is likely to corrode, at a minor extent on a long period of time, due to oxidation under wet conditions. Such corrosion shall be negligible, on account of the quality and thickness of the cast aluminum of the *Procast** dome strainer. As for the copper flange, such "passive" metal shall never be altered in quality by its natural oxidation, so that the long term performance of the copper drain is acquired.

CHARACTERISTICS

- This type of drain may be used with any type of B.U.R. membrane;
- For installation recommendation, refer to the *Murphco Ultra** copper roof drain data sheet;
- *Murphco Procast** aluminum dome strainer.

EXPLODED VIEW OF THE **ULTRA SELECT** COPPER ROOF DRAIN



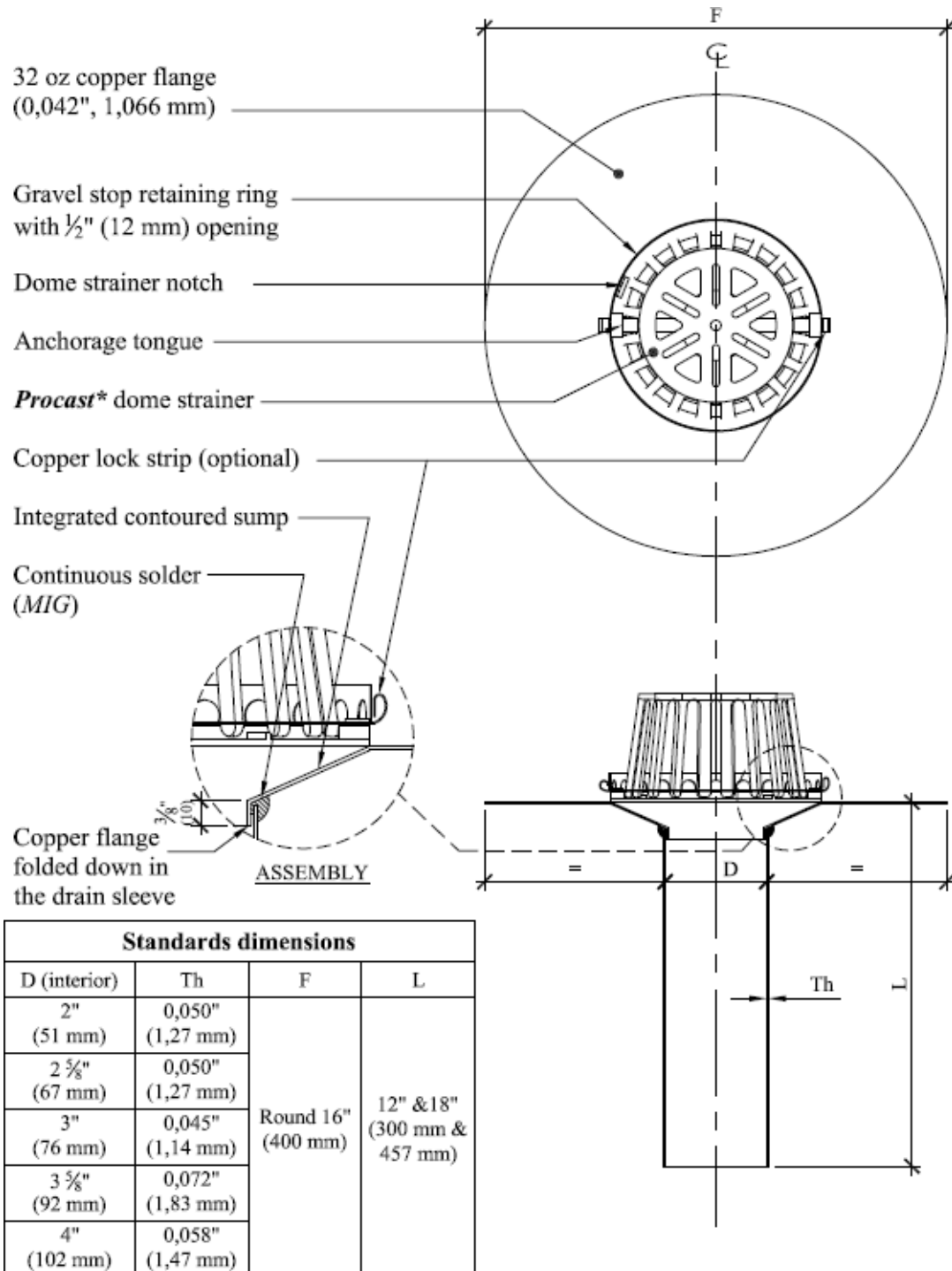
FEATURES AND WARRANTY

- Easy installation of the dome strainer without any tool;
- Solid and long lasting retaining system;
- Rigid copper sleeve without joint, clip or vertical solder;
- 32 oz copper flange folded down in the sleeve with the patented Murphco punch;
- MIG solder
- Compatible with U-Flow™ seal, clamp collar or flexible coupling sleeve for a maximum flow;
- Durability, quality and commercial grade;
- Guaranteed against corrosion and manufacturing defects.

ULTRA SELECT COPPER ROOF DRAIN

DRAIN SECTION

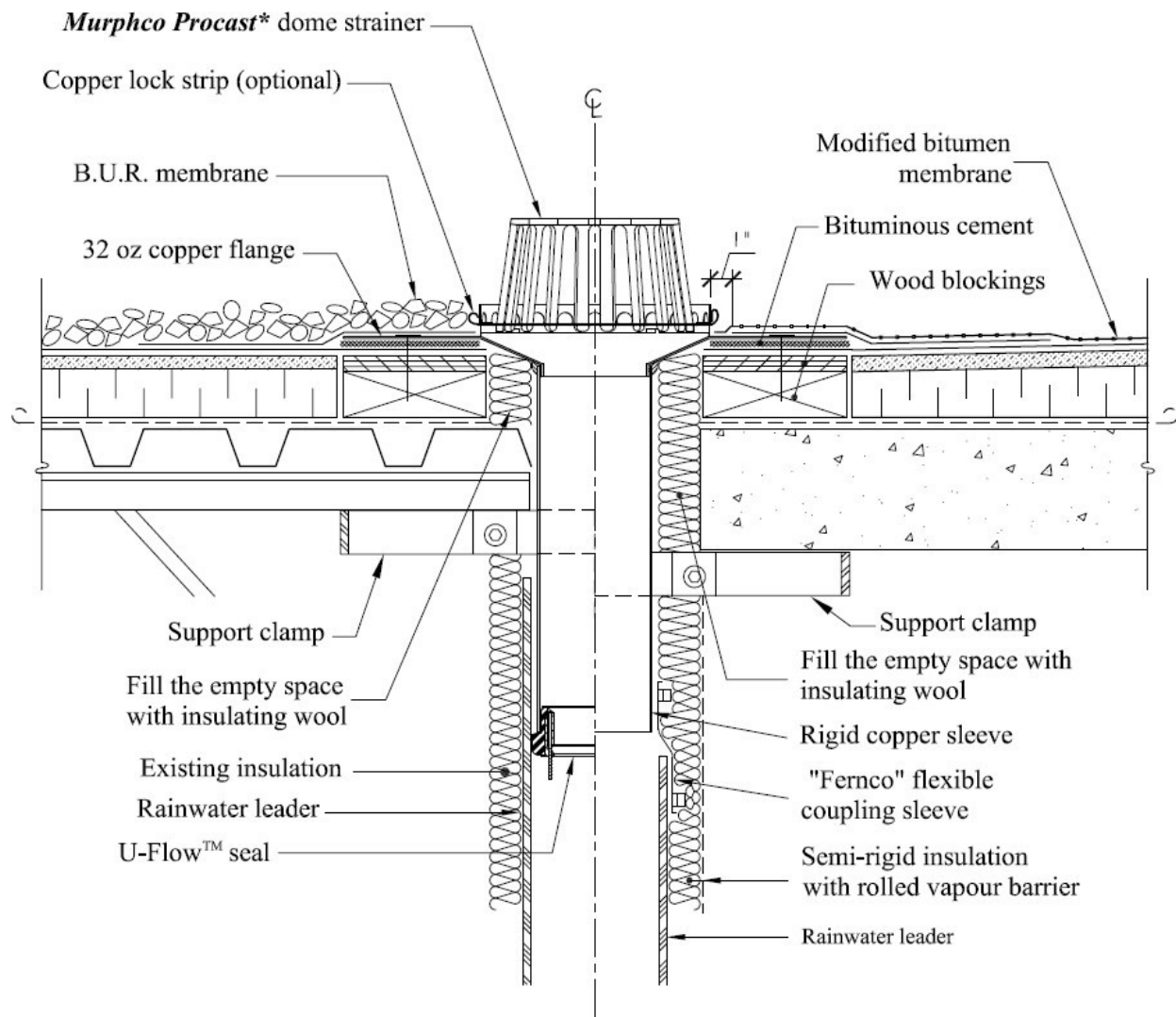
Scale: 1:5



ULTRA SELECT COPPER ROOF DRAIN

TYPICAL DETAIL

Scale: 1:5



Application field: The plumbing installation should be made in conformity with the appropriate provincial, territorial or municipal rules or, in absence of such regulation, with the current Canadian Plumbing Code.

Notice to plumbing / roofing contractor: When a copper drain sleeve must be cut for adjustment to appropriate length, avoid the use of vibrating tools that could generate fissures in the copper flange or sleeve along the solder. Rather utilize a circular cutter.

ULTRA SELECT COPPER ROOF DRAIN

DESIGNED AND MANUFACTURED BY LES PRODUITS MURPHCO LTÉE

Technical assistance or further information may be obtained from:



Manufacturier et spécialiste de drains de toiture

Boutique de Métal en feuille

4955, rue Brock Montréal, Qc, H4E 1B5

Tél : (514) 937-3275 Fax : (514) 937-6797

Site web : www.produitsmurphco.com Courriel : info@produitsmurphco.com

DOCUMENTATION PREPARED WITH THE TECHNICAL COOPERATION OF:

Englobe

1200, boul. Saint-Martin Ouest, bureau 400

Laval (Québec) H7S 2E4

T 514.281.5173

F 450.668.5532

info@englobecorp.com

NOTICE

The information and specification provided in this document are applicable at time of publication. They are condensed from the exact results obtained through real tests and field experience, but may not be construed as implying any absolute and final dictate on our part. **Les Produits MURPHCO Ltée** Reserves the right to modify, without notice, the information provided in the present document, as a result of its research and development policy on its products.