

ULTRA SELECT PLUS COPPER ROOF DRAIN

DESCRIPTION

The *Ultra Select Plus* copper roof drain assembly is made of a *Murphco Ultra** drain as basic element, equipped with an integrated contoured funnel shaped sump, capped with a copper dome strainer fixed permanently to the flange with bronze solder points (*MIG* process).

The first dome strainer is equipped with a cap that protects the drainage system against vandalism and enables the necessary access for maintenance.



The *Ultra Select Plus* copper roof drain is distinctive by its unique and complete anti-vandalism design, the whole exclusively made of copper.

Use: recommended for all types of flat roofs: industrial, commercial and institutional.

MATERIALS

- Drain : see technical data sheets of *Murphco Ultra** copper roof drain with diameter of 16" (400 mm), sleeve diameter 4" (100mm) maximum;
- Contoured sump: 1" deep (25 mm) and 6" wide (152mm);
- Dome strainer : vertical wall: 32 oz copper (1.066 mm, 0.042"), with 2 rows of 27 standard orifice.
Dome strainer: 32 oz copper (1.066 mm, 0.042"), with 24 orifices
- Solder : *MIG* solder
- Screws : stainless steel

DIMENSIONS

Dome strainer

Height : 6 1/2" (165 mm)

Diameter : 8" (205 mm)

Standard orifice: 1.48 in² (956 mm²)

* Mark of Les Produits Murphco Ltée, see appropriate technical data sheet

ULTRA SELECT PLUS COPPER ROOF DRAIN

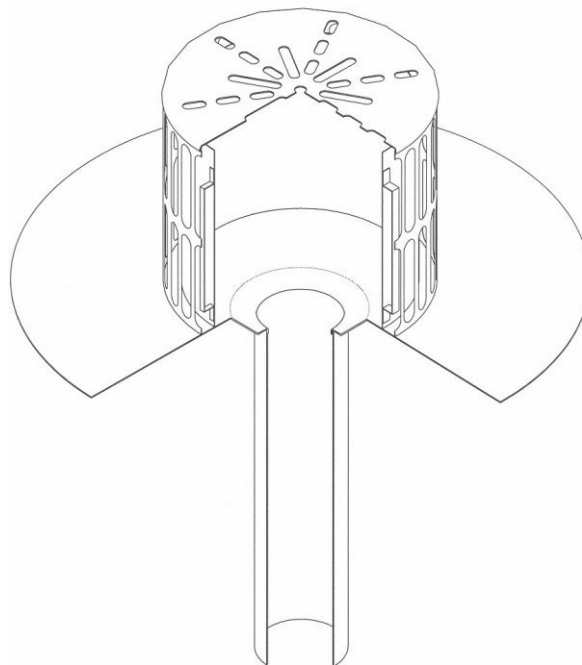
CHARACTERISTICS

- Unique and complete anti-vandalism design;
- Copper dome strainer fixed permanently to the flange of the drain;
- Permanent dome strainer with removable cap;
- No mechanical anchor that could perforate the membrane and the flange;
- All the materials are made of copper and stainless steel insuring a remarkable life expectancy.

INSTALLATION

This roof drain assembly can be used with all types of membranes, on flat roofs.

For the membrane installation method and also for the connection into the interior rainwater leader, please refer to the technical data sheets of *Murphco Ultra** copper roof drain.

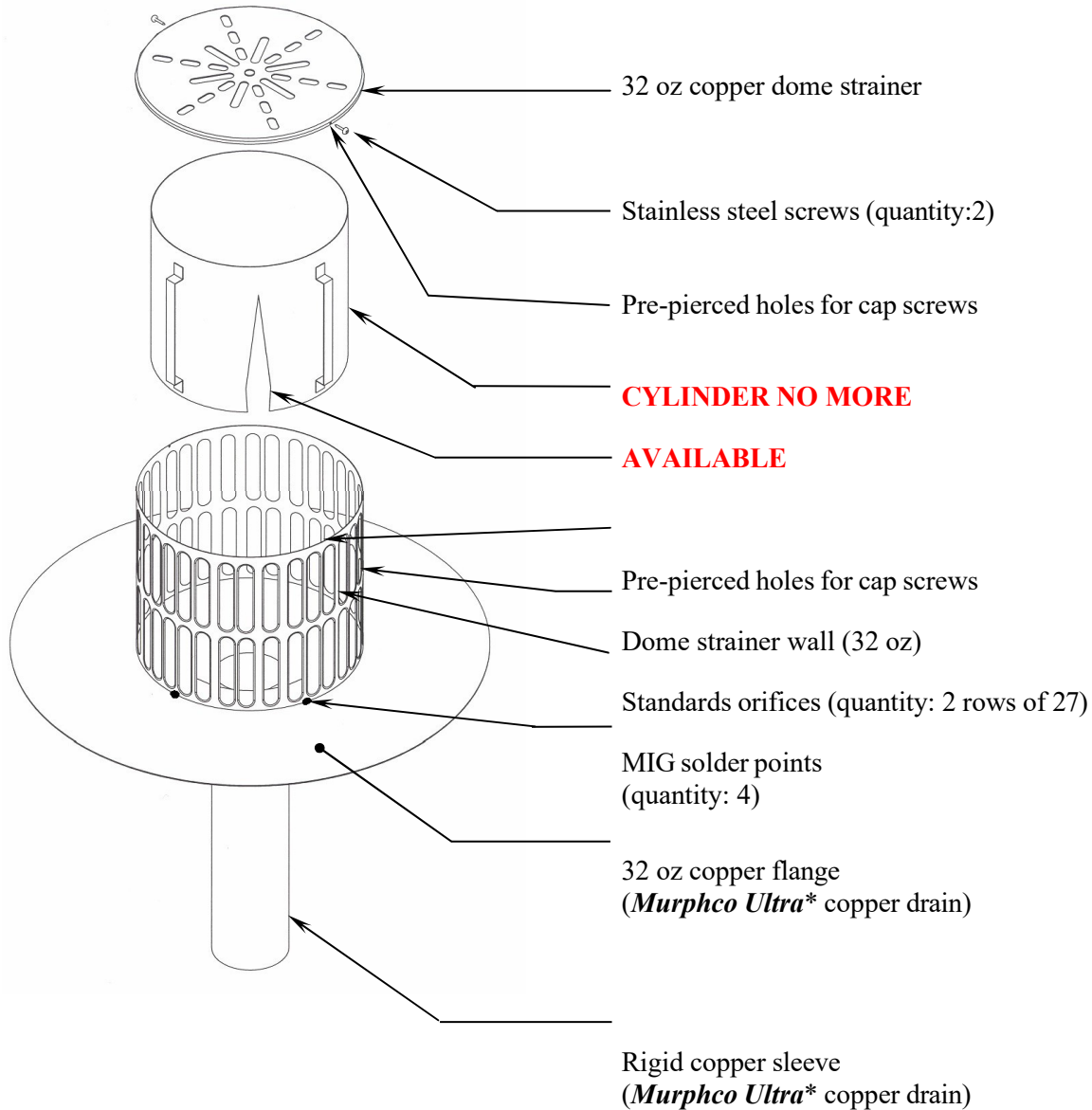


FEATURES & WARRANTY

- Complete anti-vandalism system;
- Permanent dome strainer with removable cap;
- Rigid copper drain sleeve, without joint, clip and vertical solder;
- 32 oz copper flange folded down in the sleeve with the patented *Murphco* punch;
- MIG solder process;
- Compatible with U-Flow™ seal, clamp collar or flexible coupling sleeve for a maximum flow;
- Durability, quality and industrial grade;
- Life time warranty against corrosion;
- Guaranteed against fabrication defects.

ULTRA SELECT PLUS COPPER ROOF DRAIN

ASSEMBLY



Anti-vandalism system

USUALLY SUPPLIED

When you buy *Ultra Select Plus* copper drain, you get:

- 1 copper drain with contoured sump, the dome strainer is already fastened to the flange;
- 1 copper dome strainer cap;
- 2 stainless steel screws;

* Mark of Les Produits Murphco Ltée, see appropriate technical data sheet

PAGE 3 of 6

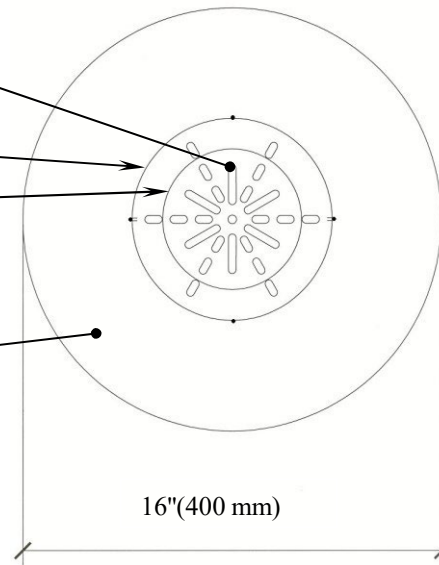
ULTRA SELECT PLUS COPPER ROOF DRAIN

DRAIN SECTION

Dome strainer cap 8"ø.

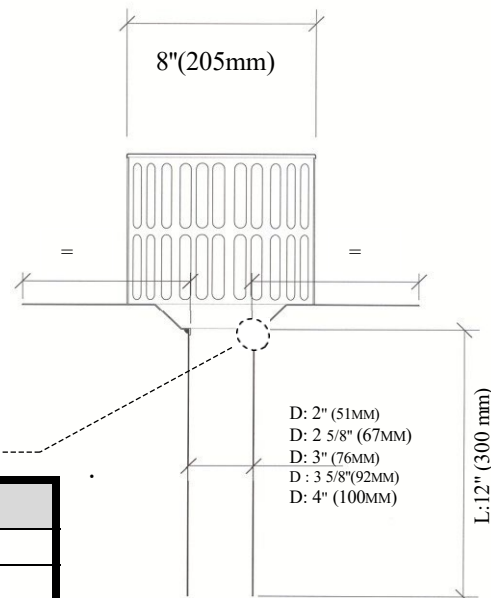
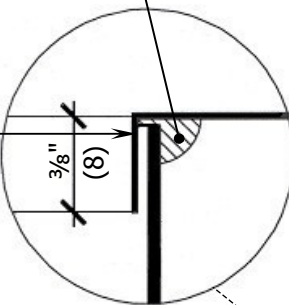
Dome strainer (vertical wall)

32 oz copper flange
(Murphco Ultra* copper drain)



Continuous
solder (MIG)

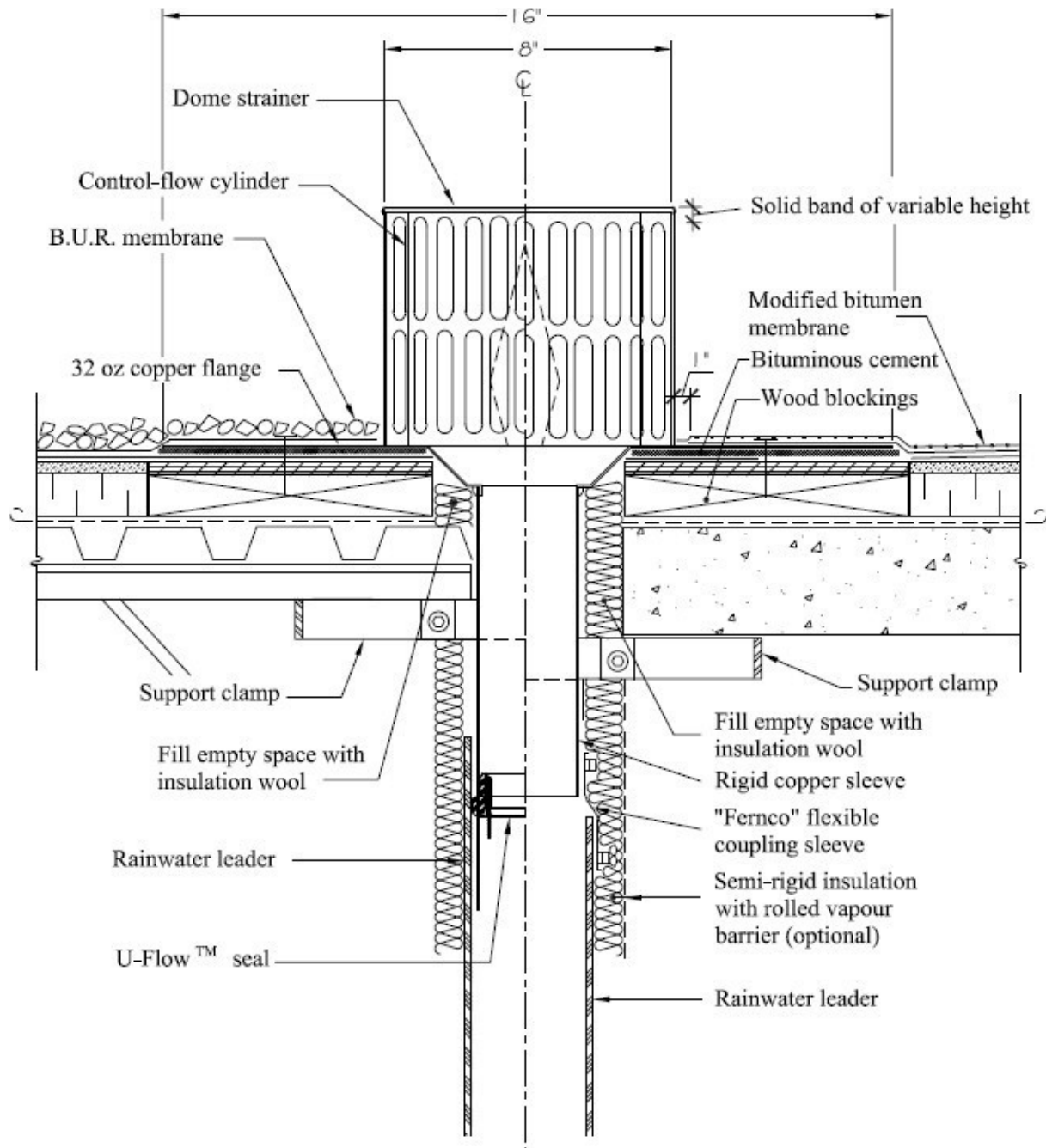
Copper
flange
folded down
in the drain
sleeve



Standards dimensions			
D(interior)	Th	F	L
2" (51 mm)	0.050" (1,27 mm)	Diameter 16" (400 mm)	12" & 18" (300 & 450 mm)
2 5/8" (67 mm)	0.050" (1,27 mm)		
3" (76 mm)	0,058" (1,47 mm)		
3 5/8" (92 mm)	0,060" (1,52 mm)		
4" (102 mm)	0.058" (1,47 mm)		

ULTRA SELECT PLUS COPPER ROOF DRAIN

TYPICAL DETAIL



*CONTROL FLOW NO MORE AVAILABLE

ULTRA SELECT PLUS COPPER ROOF DRAIN

DESIGNED AND MANUFACTURED BY LES PRODUITS MURPHCO LTÉE

Technical assistance or further information may be obtained from:



Manufacturier et spécialiste de drains de toiture
Boutique de Métal en feuille

4955, rue Brock Montréal, Qc, H4E 1B5

Tél : (514) 937-3275 Fax : (514) 937-6797

Site web : www.produitsmurphco.com Courriel : info@produitsmurphco.com

DOCUMENTATION PREPARED WITH THE TECHNICAL COOPERATION OF:

Englobe

1200, boul. Saint-Martin Ouest, bureau 400

Laval (Québec) H7S 2E4

T 514.281.5173

F 450.668.5532

info@englobecorp.com

NOTICE

The information and specification provided in this document are applicable at time of publication. They are condensed from the exact results obtained through real tests and field experience but may not be construed as implying any absolute and final dictate on our part. **Les Produits MURPHCO Ltée** Reserves the right to modify, without notice, the information provided in the present document, as a result of its research and development policy on its products.