

## DESCRIPTION

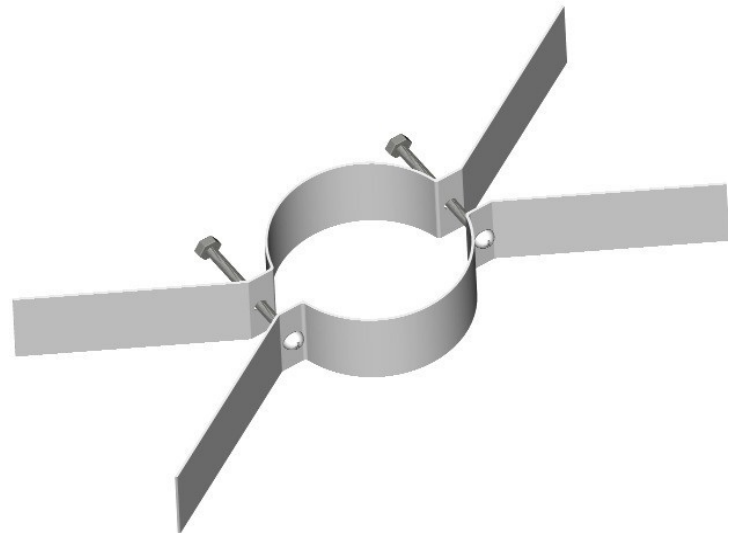
The *Murphco support clamp* is an assembly made entirely of stainless steel and conceived for all sleeved roof drains.

The *Murphco Support Clamp* is compatible with all types of *Murphco*\* copper drains being inserted and tightened around the sleeve of the drain under the deck.

The *Support Clamp* is distinctive by its unique and complete anti-vandalism design, the whole exclusively made of stainless steel. It is recommended for all types of roofs (industrial, commercial and institutional).

## TECHNICAL DESCRIPTION OF FINISHED PRODUCT

Color	: Grey metal
Adjustable bars	:Stainless Steel thickness : (1.9mm, 0.075") With 2 standard orifices each of (0.75mm, 0.029")
Support screw	: Stainless Steel, 2 screws (1/4", 5mm) of diameter and (3.149", 80mm) of length
Hold nut	: Stainless Steel, 2 octogonal form nut (0.3937", 10mm) of interior diameter and (0.1968", 5mm) of width.



*" Support Clamp"*

## INSTALLATION

Generality:

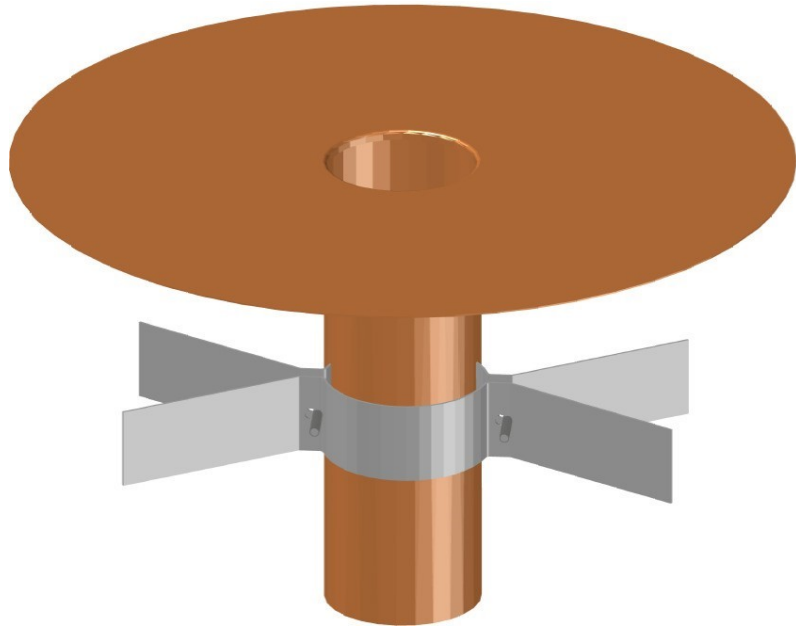
The *Murphco Support Clamp* is installed on all new or existing drains. It is tightened with 2 screws and bolts around the sleeve of the drain just under the deck and prevents the movement by tightening the drain sleeve between the adjustable clamp and the drain flange.

### INSTALLATION

The *Murphco Support Clamp* is tightened around the *Murphco* drain sleeve. The whole becomes anti-vandalism assembly made of copper and stainless steel.

Conceived for all types of flat roofs, the Support Clamp is easily adjusted to the diameter of the drain sleeve and the deck thickness.

(see detail, page 4)



*Murphco Ultra\** copper drain with *Support Clamp*

### CHARACTERISTICS

- Adjusted to all the *Murphco* sleeved roof drains;
- The *Support Clamp* firmly retains the drain in a stable position;
- All the materials are made of Stainless Steel, insuring a remarkable life expectancy;
- No mechanical anchor that could perforate the membrane or the sleeve;

### FEATURES

- Unique and complete anti-vandalism design;
- Compatible with all *Murphco* roof drains;
- Adjustable to all diameters of drain sleeves;
- Durability, quality and industrial grade;

### WARRANTY

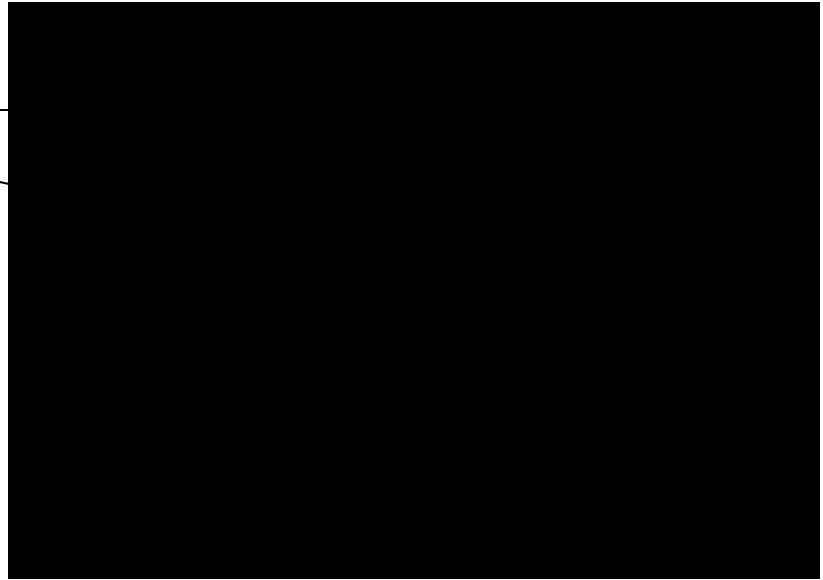
- Guaranteed against corrosion;
- Guaranteed against fabrication defects;

### TECHNICAL DRAWING

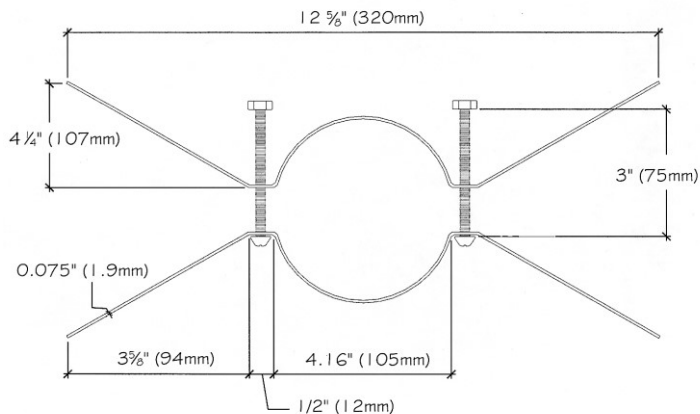
Adjustable bars

Hold nut

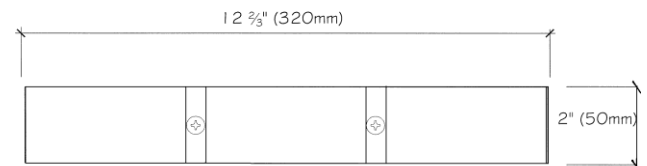
Tightening bolt



*" Support Clamp "*

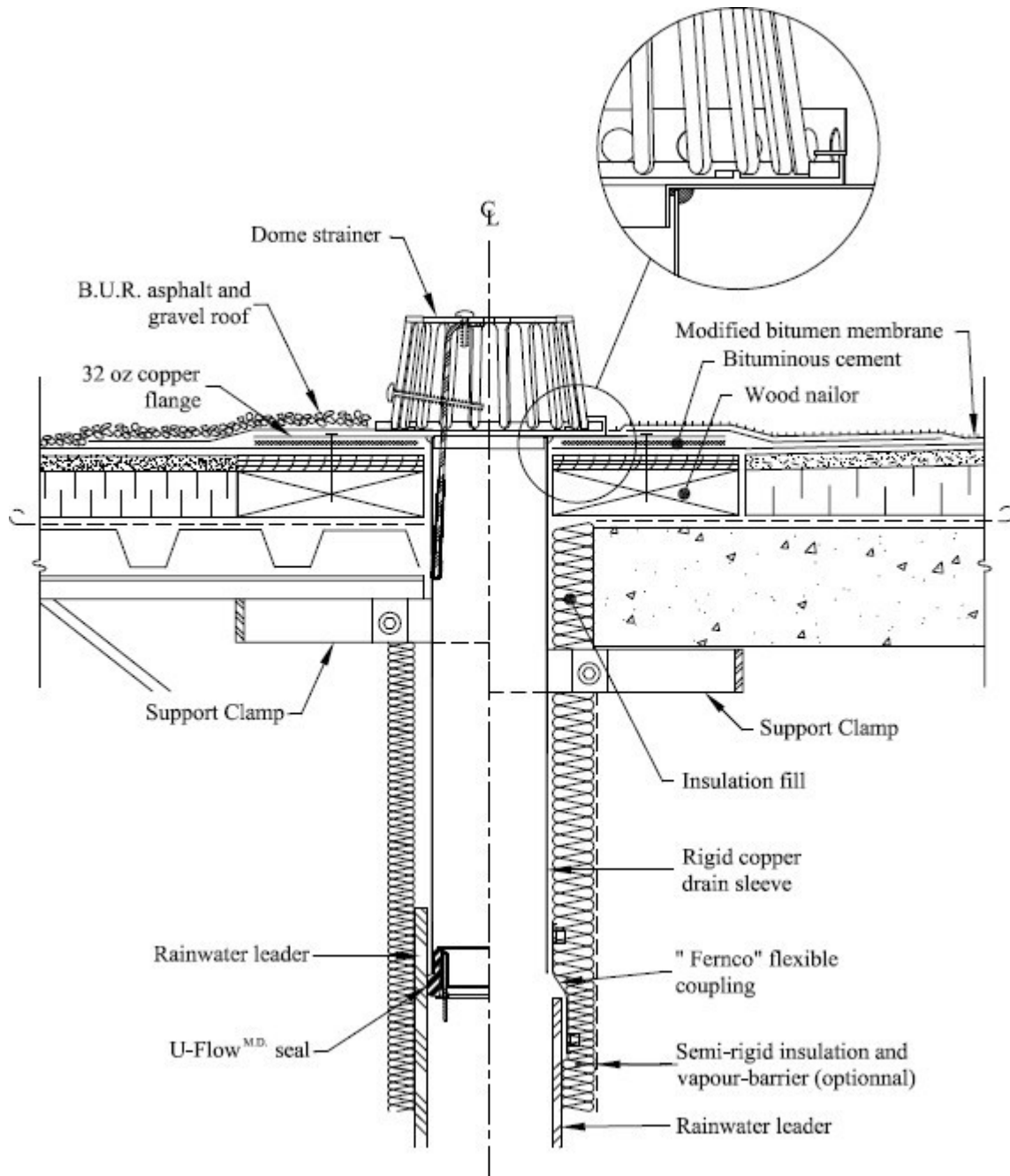


PLAN VIEW



ELEVATION

### TYPICAL DETAIL (EXAMPLE)



Application field: The plumbing installation should be made in conformity with the appropriate provincial, territorial or municipal rules or in absence of such regulation, with the current Canadian Plumbing Code.

---

DESIGNED AND MANUFACTURED BY LES PRODUITS MURPHCO LTÉE

---

Technical assistance or further information may be obtained from:



**Manufacturier et spécialiste de drains de toiture**

Boutique de Métal en feuille

4955, rue Brock Montréal, Qc, H4E 1B5

Tél : (514) 937-3275 Fax : (514) 937-6797

Site web : [www.produitsmurphco.com](http://www.produitsmurphco.com) Courriel : [info@produitsmurphco.com](mailto:info@produitsmurphco.com)

---

DOCUMENTATION PREPARED WITH THE TECHNICAL COOPERATION OF:

---

## Englobe

1200, boul. Saint-Martin Ouest, bureau 400

Laval (Québec) H7S 2E4

T 514.281.5173

F 450.668.5532

[info@englobecorp.com](mailto:info@englobecorp.com)

---

## NOTICE

---

The information and specification provided in this document are applicable at time of publication. They are condensed from the exact results obtained through real tests and field experience, but may not be construed as implying any absolute and final dictate on our part. **Les Produits MURPHCO Ltée** Reserves the right to modify, without notice, the information provided in the present document, as a result of its research and development policy on its products.