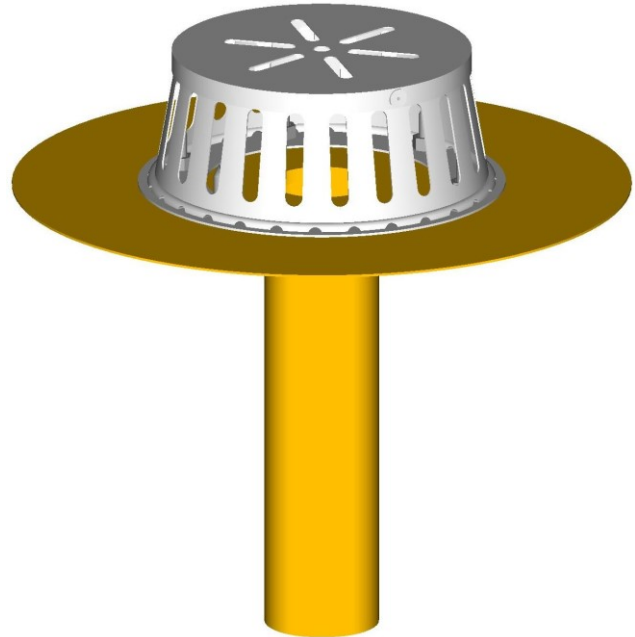


## ULTRA MEK COPPER ROOF DRAIN

### DESCRIPTION

The *Ultra Mek* copper drain is a mechanical drain made of the *Murphco Ultra\** copper roof drain equipped with 6 anchoring screws soldered to the drain flange and a modified medium size *Moulded Dome Strainer\**. The strainer is soldered to a rigid aluminum tightening collar, pre-drilled for the bolting to the drain flange. The strainer cover protects the drainage system against vandalism while giving access to the anchoring bolts and to the drain pipe opening for maintenance purposes.

It is characterized by the concept of securing the strainer to the flange with six anchoring bolts. The installation of the roofing membranes is facilitated by the pointing ends of the bolts, which give a precise punching position without tearing the membrane plies under application.



The strainer and the tightening collar may be installed and removed easily, being simply fixed at the drain with the help of 6 hexagonal nuts. The strainer cap is retained in place by rivets thus ensuring a complete **anti-vandalism** assembly.

Use: recommended for all types of flat roofs (industrial, commercial & residential).

#### Options :

- 1- Flow control: The system may be used to control the water flow by installing a *Moulded control flow dome strainer\**.
- 2- SUPER-DOME: The moulded dome strainer with the tightening collar may be replaced by the "*U-Flow*" *Super-Dome\*\** strainer, which matches the same features as the *Murphco Ultra Mek* copper roof drain, mainly by the mechanical tightening of the membrane to the drain flange.

\* Mark of Les produits Murphco Ltée, see appropriate technical data sheet

\*\* Trade mark of Olympic U-Flow Roof Drains and Accessories

## ULTRA MEK COPPER ROOF DRAIN

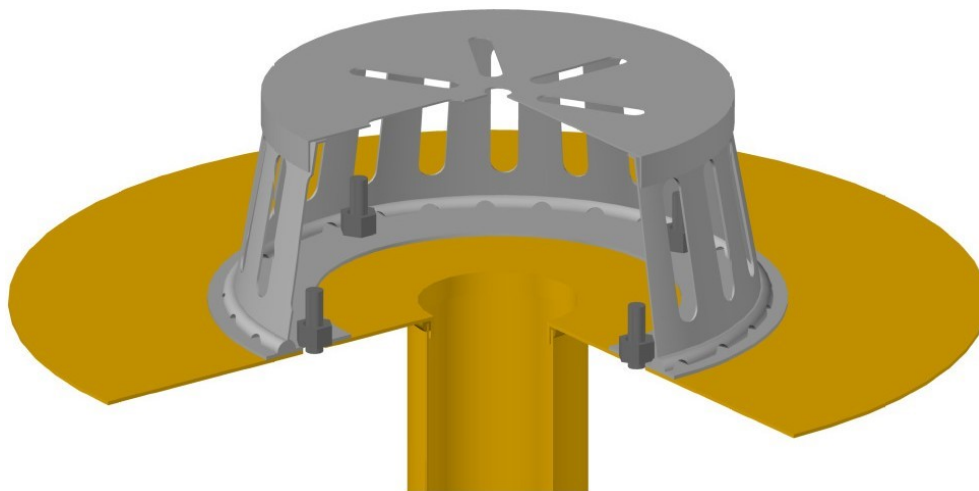
### MATERIALS AND DIMENSIONS

Drain:	<i>Murphco Ultra*</i> copper roof drain, 18" (450 mm) flange diameter;
Strainer:	<i>Murphco Moulded dome strainer*</i> , medium size (without adjustable legs) and with a separated moulded aluminum cap;
Tightening collar:	pre-drilled rigid aluminum circular plate: -Thickness: 0.100" (2.5 mm) -Exterior diameter: 9½" (241 mm) -Interior diameter: 6" (152 mm) -Alloy: 6061T6 -ASTM : QQA 250 111F
Bolts and nuts:	stainless steel of 3/8" (9.5 mm) diameter.

### CHARACTERISTICS

- The concept of this drain is similar to the one of a standard mechanical drain, where the membrane is tightened between the drain flange and the tightening collar, but without the disadvantages of the extension pieces whose gaskets may dry out and loosen as well as the thinning of the membrane layer which represent long-term infiltration risks;
- This six bolts tightening collar offers a better performance against tensile stress and movement of the membrane, as it is to a much larger flange than on the standard mechanical drains;
- Strong assembly;
- This drain may be used with all types of membranes for flat roofs;
- For the installation recommendations, see *Murphco Ultra\** technical data;
- Possibility of installing a control flow dome strainer as well as the "*U-Flow*" *Super-Dome\*\**.

### EXPLODED VIEW OF THE ULTRA MEK COPPER ROOF DRAIN



\* Mark of Les produits Murphco Ltée, see appropriate technical data sheet

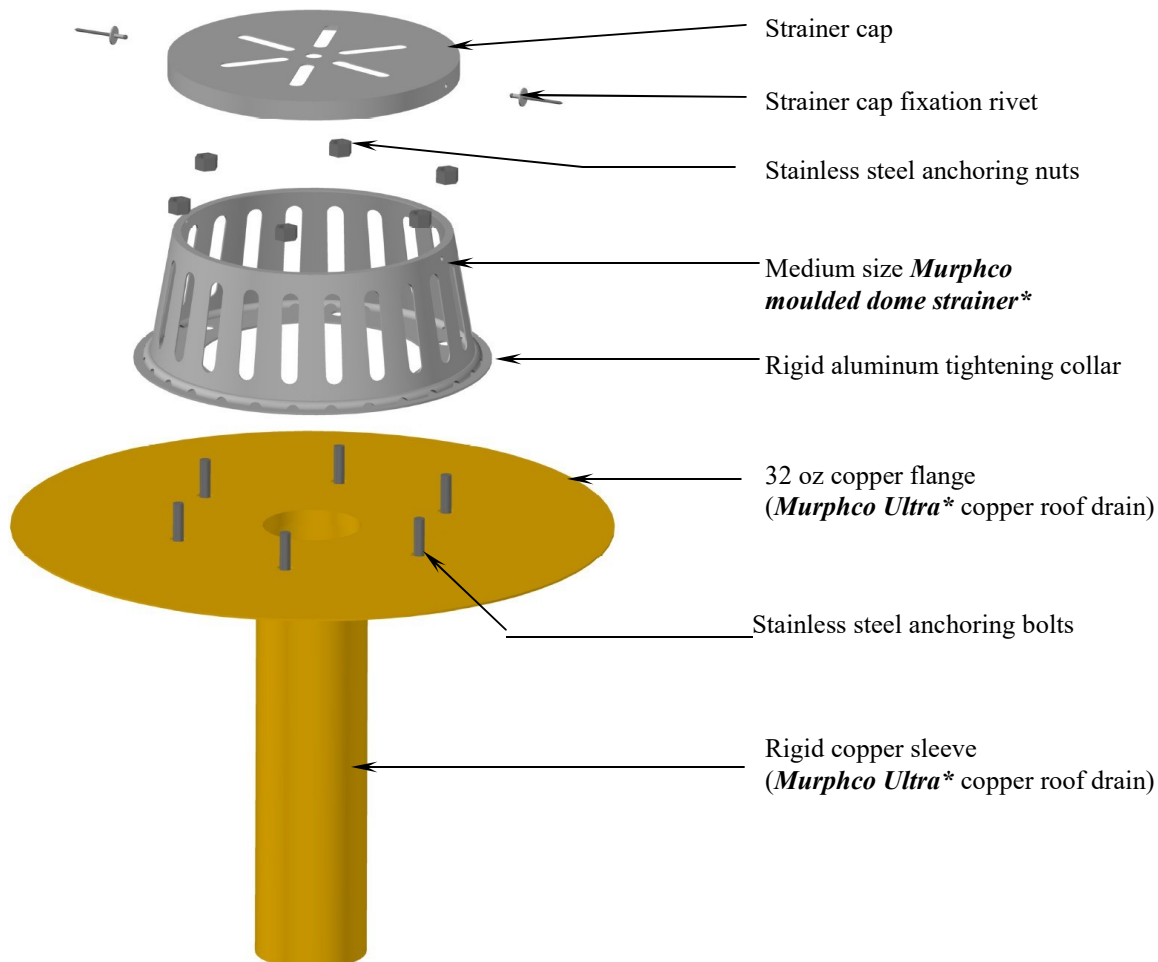
\*\* Trade mark of Olympic U-Flow Roof Drains and Accessories

## ULTRA MEK COPPER ROOF DRAIN

### FEATURES & WARRANTY

- Easy installation of the dome strainer;
- Solid and long lasting retaining system;
- Ideal support of the membrane on the flange and long-term performance;
- Rigid copper sleeve without joint, clip or vertical solder;
- 32 oz copper flange folded down in the sleeve with continuous *MIG* solder
- Compatible with U-Flow™ seal, clamp collar or flexible coupling sleeve for a maximum flow;
- Upon request, option of control flow strainer or *Super-Dome*\*\* by "U-Flow";
- Durability, quality and industrial grade;
- Guaranteed against corrosion and manufacturing defects.

### ASSEMBLY



\* Mark of Les produits Murphco Ltée, see appropriate technical data sheet

\*\* Trade mark of Olympic U-Flow Roof Drains and Accessories

## ULTRA MEK COPPER ROOF DRAIN

### DRAIN SECTION

32 oz. copper drain flange  
(0,042" ; 1,066 mm)

Removable strainer cap

Rigid aluminum tightening collar

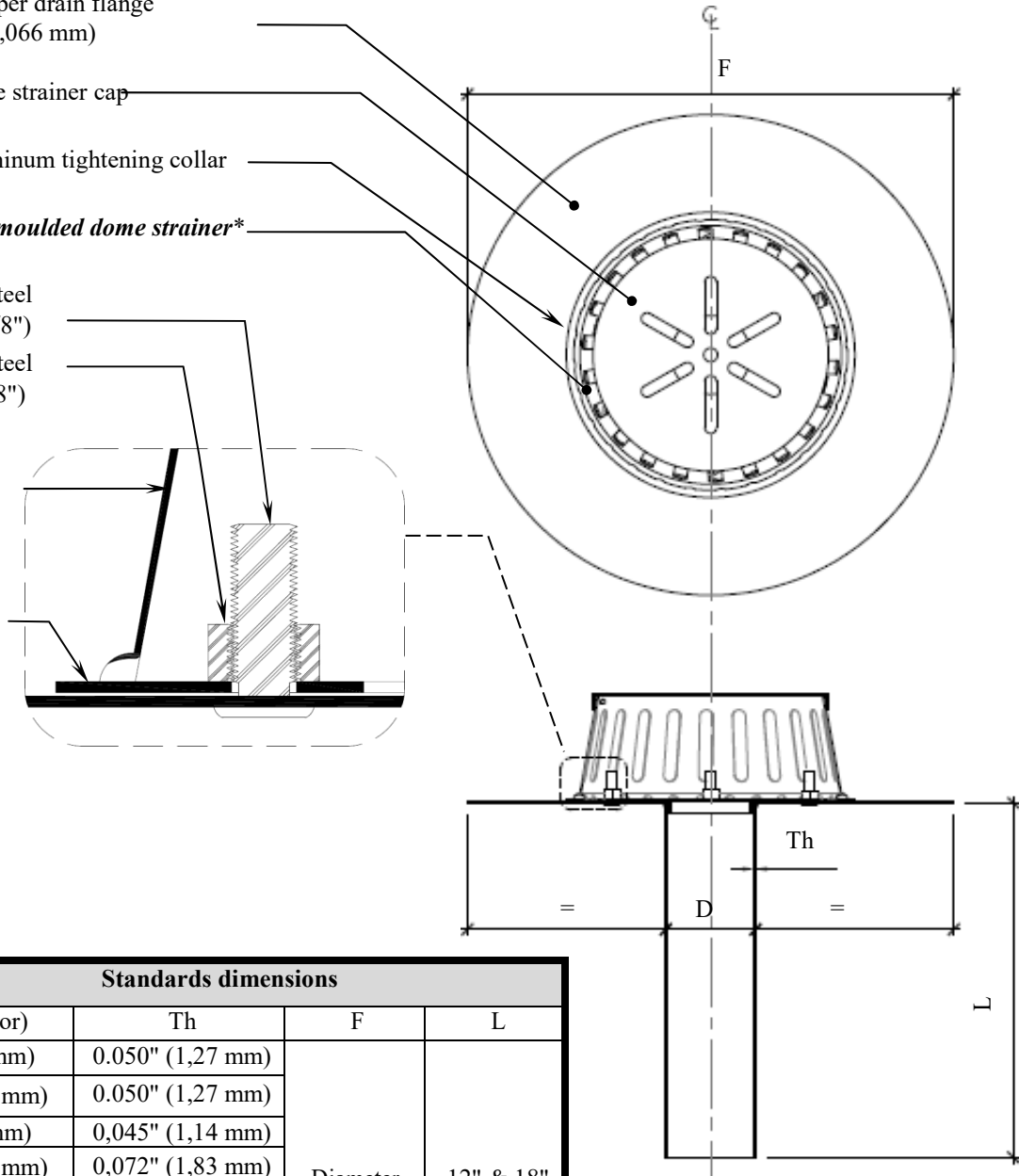
*Murphco moulded dome strainer\**

Stainless steel  
bolts (Ø 3/8")

Stainless steel  
nuts (Ø 3/8")

*Murphco  
moulded  
dome  
strainer\**

Rigid  
aluminum  
tightening  
collar



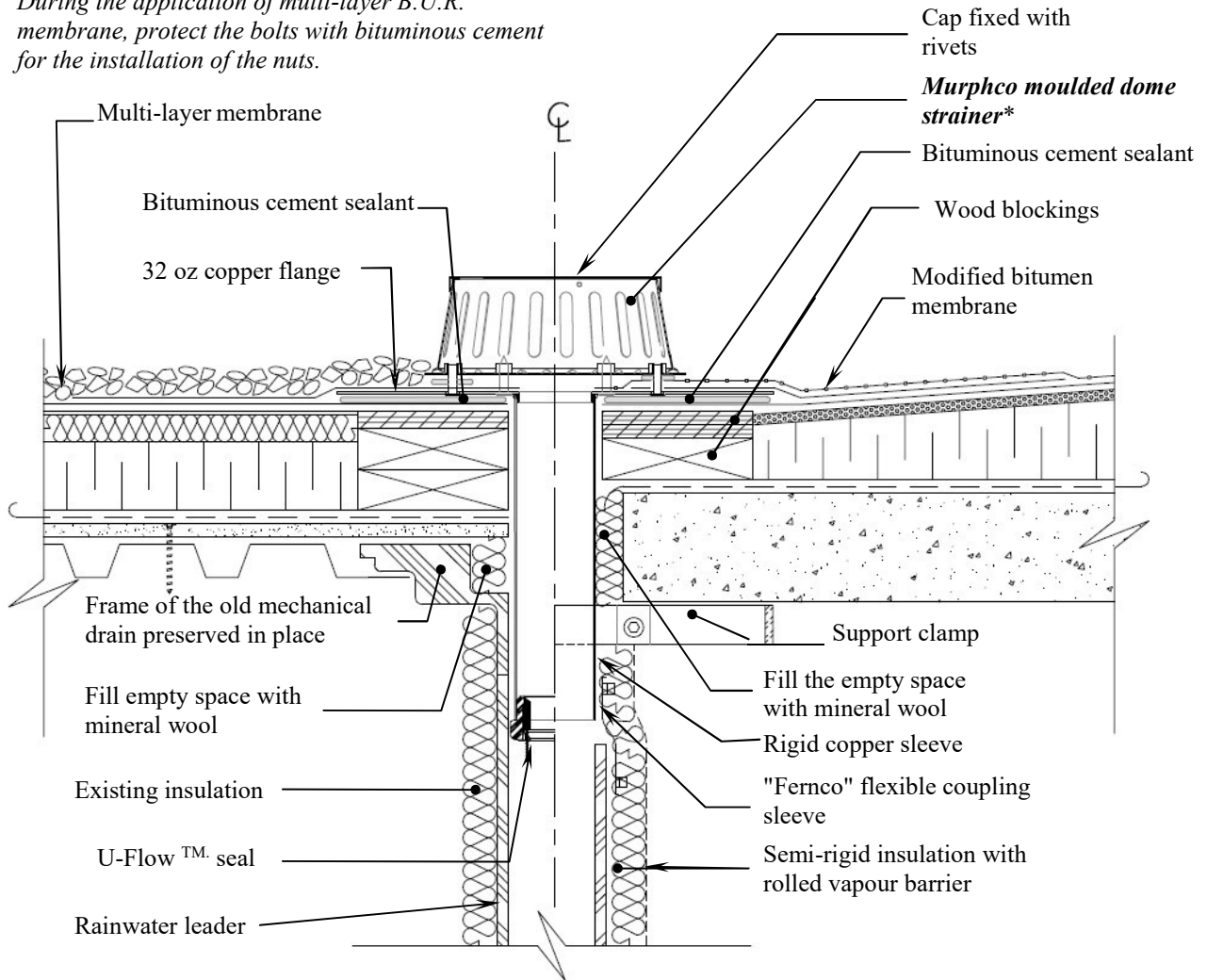
Standards dimensions			
D(interior)	Th	F	L
2 " (51 mm)	0,050" (1,27 mm)	Diameter 16" (400 mm)	12" & 18" (300 & 450 mm)
2 5/8 " (67 mm)	0,050" (1,27 mm)		
3 " (76 mm)	0,045" (1,14 mm)		
3 5/8 " (92 mm)	0,072" (1,83 mm)		
4" (102 mm)	0,058" (1,47 mm)		
4 5/8 " (117 mm)	0,090" (2,29 mm)		
5" (127 mm)	0,072" (1,83 mm)		
5 5/8 " (143 mm)	0,090" (2,29 mm)		
6 " (152 mm)	0,082" (2,08 mm)		

## ULTRA MEK COPPER ROOF DRAIN

### TYPICAL DETAIL

Notes:

During the application of multi-layer B.U.R. membrane, protect the bolts with bituminous cement for the installation of the nuts.



Notice to plumbing / roofing contractor: When a copper drain sleeve must be cut for adjustment to appropriate length, avoid the use of vibrating tools that could generate fissures in the copper flange or sleeve along the solder. Rather utilize a circular cutter.

## **ULTRA MEK** COPPER ROOF DRAIN

DESIGNED AND MANUFACTURED BY LES PRODUITS MURPHCO LTÉE

---

Technical assistance or further information may be obtained from:



**Manufacturier et spécialiste de drains de toiture**

Boutique de Métal en feuille

4955, rue Brock Montréal, Qc, H4E 1B5

Tél : (514) 937-3275 Fax : (514) 937-6797

Site web : [www.produitsmurphco.com](http://www.produitsmurphco.com) Courriel : [info@produitsmurphco.com](mailto:info@produitsmurphco.com)

DOCUMENTATION PREPARED WITH THE TECHNICAL COOPERATION OF:

---

### **Englobe**

1200, boul. Saint-Martin Ouest, bureau 400

Laval (Québec) H7S 2E4

T 514.281.5173

F 450.668.5532

[info@englobecorp.com](mailto:info@englobecorp.com)

### NOTICE

---

The information and specification provided in this document are applicable at time of publication. They are condensed from the exact results obtained through real tests and field experience, but may not be construed as implying any absolute and final dictate on our part. **Les Produits MURPHCO Ltée** Reserves the right to modify, without notice, the information provided in the present document, as a result of its research and development policy on its products.

---