

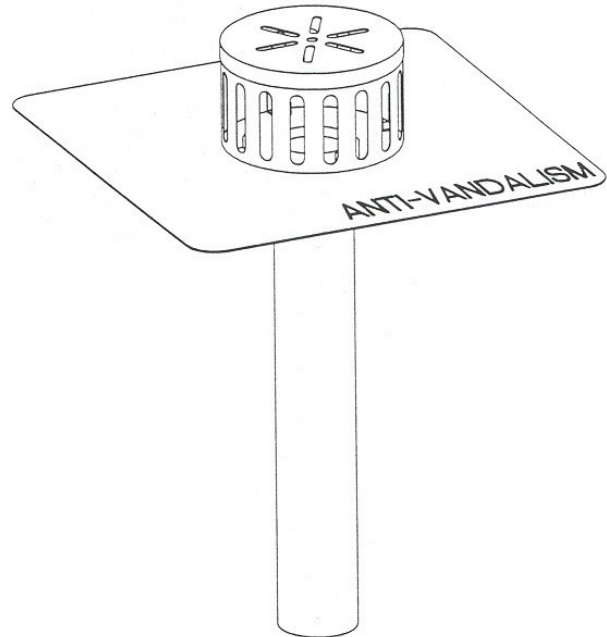
ULTRA VANDEX COPPER ROOF DRAIN

DESCRIPTION

The *Ultra Vandex* copper roof drain assembly is made of a *Murphco Ultra** drain as basic element, capped with a copper dome strainer riveted to 4 cleats fixed permanently to the flange with bronze solder points (*MIG* process).

The screwed in place dome strainer cap protects the drainage system against vandalism and enables the necessary access for maintenance.

Option: On request, this type of drain is designed to receive an extra cylinder for the control of the water flow. This control flow cylinder fits firmly in the dome strainer. A notch is cut in place without intermediary, to control the flow as specified. (see appropriate dimension in table 1, page 6/8)



The *Ultra Vandex* copper drain is distinctive by its unique and complete anti-vandalism design, the whole exclusively made of copper.

Use: recommended for all types of flat roofs: industrial, commercial and institutional.

MATERIALS

Drain, flange and sleeve:	see technical data sheets of <i>Murphco Ultra*</i> copper roof with standard interior diameter of: 2", 2 5/8", 3", 3 5/8", 4", 4 5/8", 5", 5 5/8" & 6" (51, 67, 76, 92, 102, 117, 127, 143 & 152 mm).
Dome strainer:	32 oz copper (1.066 mm, 0.042"), with 17 standard orifices. cap: 32 oz copper (0.686 mm, 0.027"), with 6 openings
Cylinder:	(control-flow): 20 oz copper (0.686 mm, 0.027")
Solder:	<i>MIG</i> solder
Screws and rivets:	full copper

DIMENSIONS

Dome strainer

Height : 3 5/8" (92 mm)
Diameter : 6 1/4" (160 mm)
Standard orifice: 1.22 po² (788.5 mm)

Cylinder (control-flow)

Height : 3 5/8" (92 mm)
Diameter : 4 3/4" (120 mm)
Notch : variable as per requirements

ULTRA VANDEX COPPER ROOF DRAIN

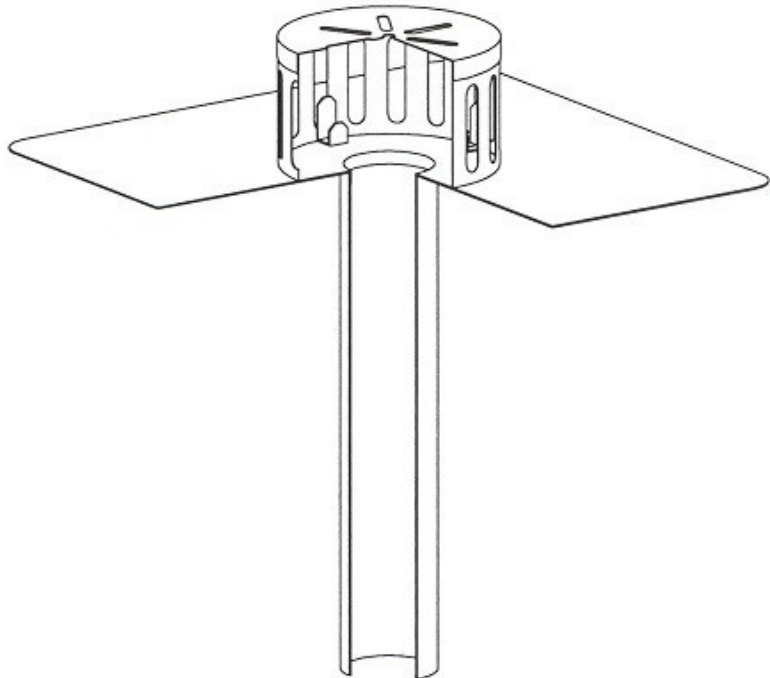
CHARACTERISTICS

- Unique and complete anti-vandalism design;
- Copper dome strainer fixed permanently to the flange of the drain;
- Screwed-in-place dome strainer cap, so removable when necessary;
- Control-flow cylinder available as an option;
- No mechanical anchor that could perforate the membrane and the flange;
- All the materials are made of copper, insuring a remarkable life expectancy.

INSTALLATION

This roof drain assembly can be used with all types of membranes, on flat roofs.

For the membrane installation method and also for the connection into the interior rainwater leader, please refer to the technical data sheets of *Murphco Ultra** copper roof drain.

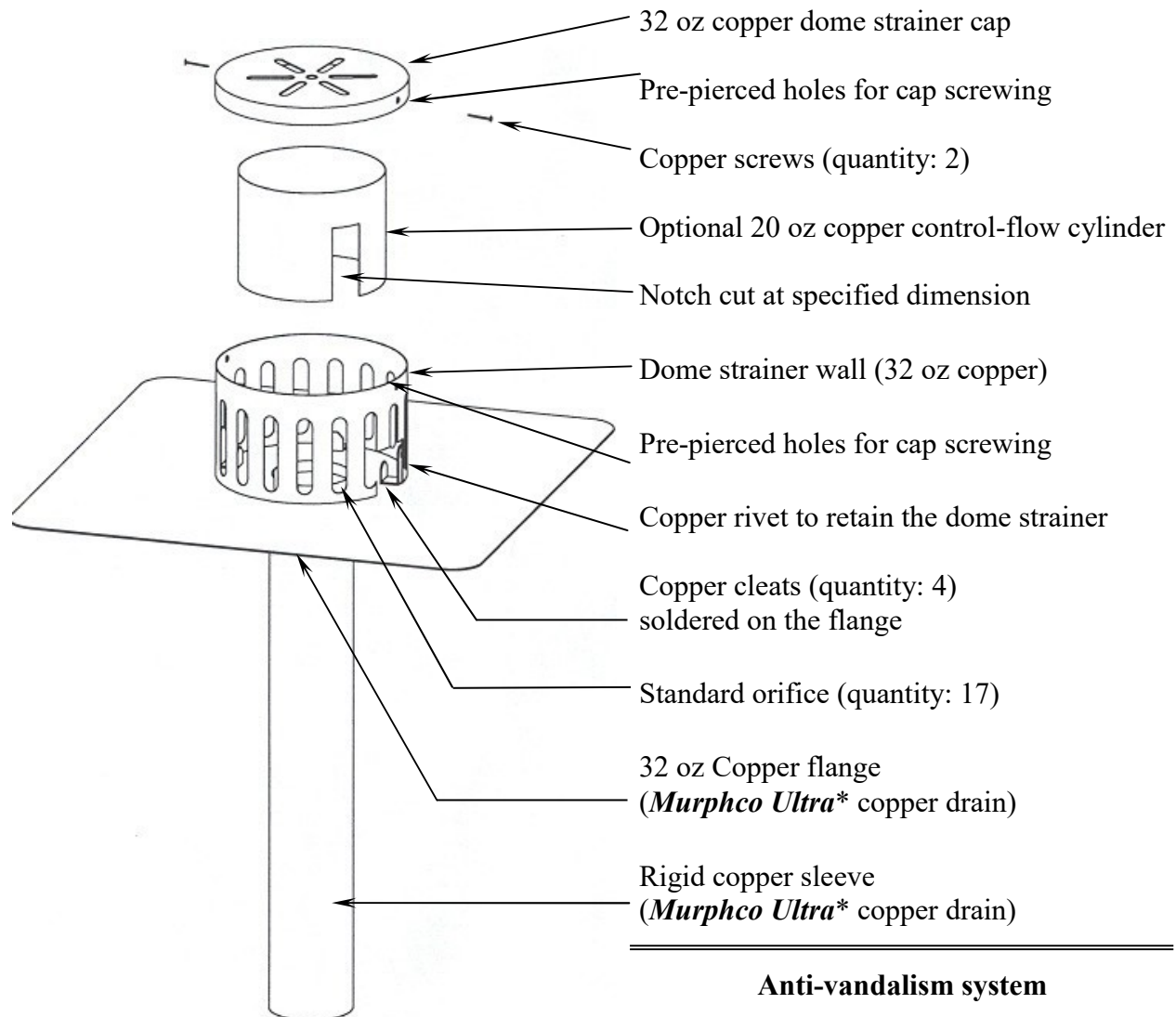


FEATURES & WARRANTY

- Complete anti-vandalism system;
- Permanent dome strainer with screwed-in-place removable cap;
- Control-flow (optional)
- Rigid copper drain sleeve, without joint, clip and vertical solder
- 32 oz copper flange folded down in the sleeve with patented *Murphco* punch;
- **MIG** solder
- Compatible with U-flow™ seal, clamp collar and coupling sleeve for a maximum flow;
- Durability, quality and industrial grade;
- Life time warranty against corrosion;
- Guaranteed against fabrication defects.

ULTRA VANDEX COPPER ROOF DRAIN

ASSEMBLY



USUALLY SUPPLIED :

When you buy an *Ultra Vandex* copper drain, you get:

- 1 *Murphco Ultra** copper drain with the vertical notched wall of the dome strainer already fixed to the flange
- 1 dome strainer cap
- 2 copper screws
- Optional control-flow cylinder

ULTRA VANDEX COPPER ROOF DRAIN

DRAIN SECTION

Scale: 1:5

Removable cap

Dome strainer vertical wall

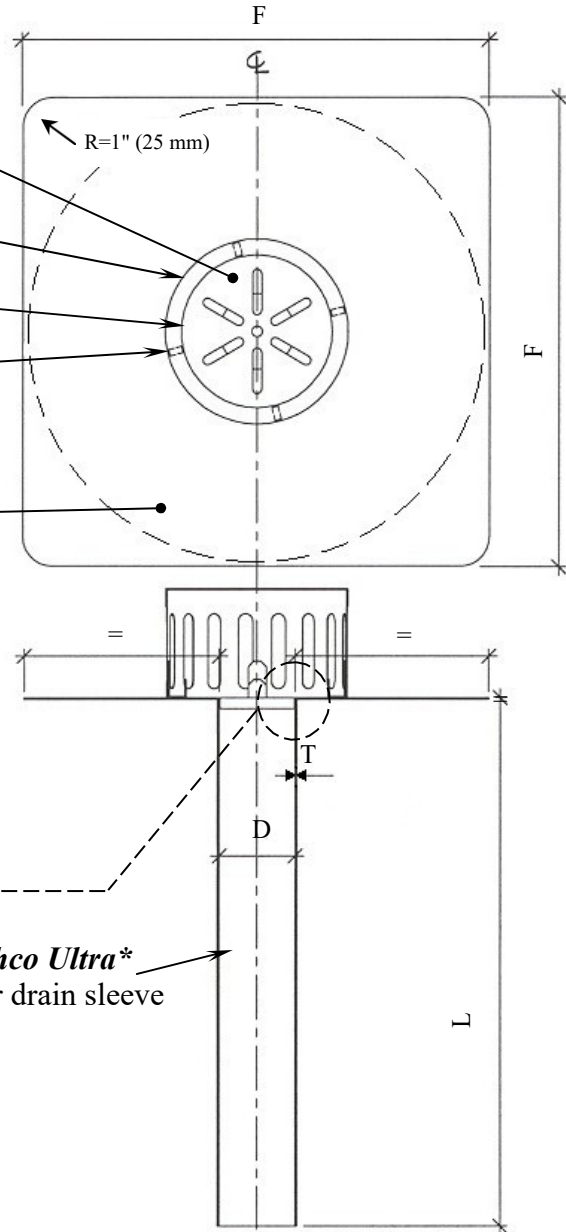
Optional control-flow cylinder of the *Murphco Ultra** copper drain

Copper cleat

32 oz copper flange (*Murphco Ultra** copper drain)

Continuous solder (MIG)

Copper flange folded down into the drain sleeve

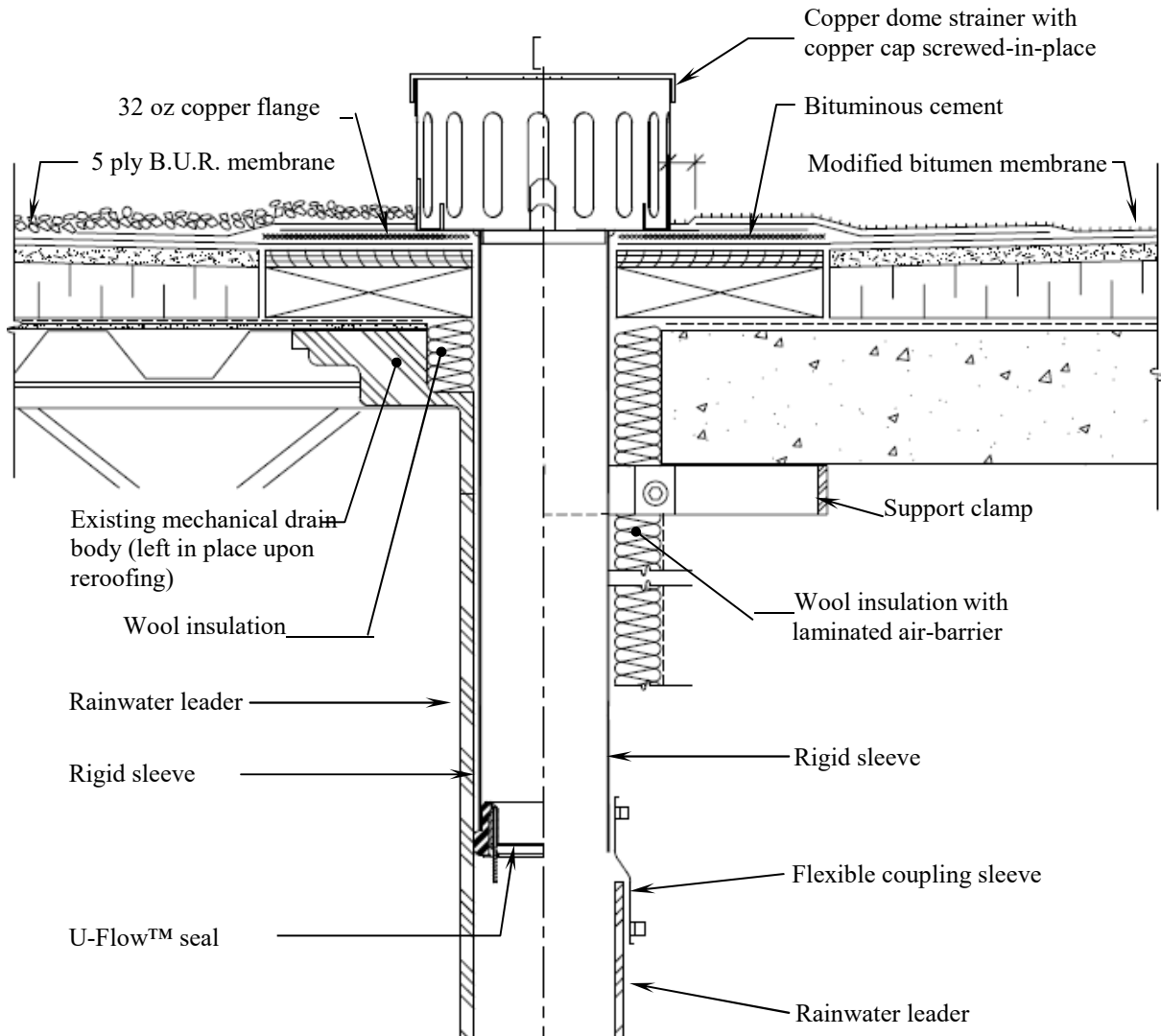


ASSEMBLY
SCALE : 1 : 1

Standard dimensions			
D (interior)	T	F	L
2" (51 mm)	0.050" (1,27 mm)	Square 16" (400 mm)	12" & 18" (300 & 450 mm)
2 5/8" (67 mm)	0.050" (1,27 mm)		
3" (76 mm)	0.072" (1,83 mm)		
3 5/8" (92 mm)	0.072" (1,83 mm)		
4" (102 mm)	0.090" (2,29 mm)	Round 16" (400 mm)	
4 5/8" (117 mm)	0.090" (2,29 mm)		
5" (127 mm)	0.090" (2,29 mm)		
5 5/8" (143 mm)	0.090" (2,29 mm)		
6" (152 mm)	0.090" (2,29 mm)		

ULTRA VANDEX COPPER ROOF DRAIN

TYPICAL DETAIL



Notice to plumbing / Roofing contractor: When a copper drain sleeve must be cut for adjustment to appropriate length, avoid the use of vibrating tools that could generate fissures in the copper flange or sleeve along the solder. Rather utilize a circular cutter.

ULTRA VANDEX COPPER ROOF DRAIN

OPTION: CONTROL-FLOW

When the drainage system is restricted and to avoid overloading the interior rainwater leader, a copper control-flow cylinder can be installed in the dome strainer: refer to table 1.

Table 1 : Control-flow cylinder

1 Drain diameter		2 Connection to the rainwater leader		Minimum opening surface		5 Maximum notch dimension horizontal X vertical		6 Number of notches
mm	in	3 U-Flow™ seal	4 others	mm ²	in	mm (in)	mm (in)	
25	1		X	500	0.78	12 (½)	40 (1½)	1
θ 50	2		X	2000	3.14	32 (1¼) 16 (⅝)	63 (2½) 63 (2½)	1 2
θ 67	2 ⅝	X		2050	3.17	25 (1) 38 (1½)	38 (1½) 50 (2)	2 1
θ 75	3		X	4400	7.07	63 (2½) 32 (1¼) 16 (⅝)	70 (2¾) 70 (2¾) 70 (2¾)	1 2 4
θ 92	3 ⅝	X		3450	5.40	54 (2⅛) 25 (1) 12 (½)	63 (2½) 67 (2⅝) 67 (2⅝)	1 2 4
θ 100	4		X	7850	12.57	63 (2½) 38 (1½)	63 (2½) 70 (2¾)	2 3
θ 117	4 ⅝	X				32 (1¼) 25 (1)	63 (2½) 63 (2½)	4 5
θ 125	5		X	12250	19.63	Control flow not required		
θ 143	5 ⅝	X		11900	18.66			
θ 150	6		X	17650	28.27			

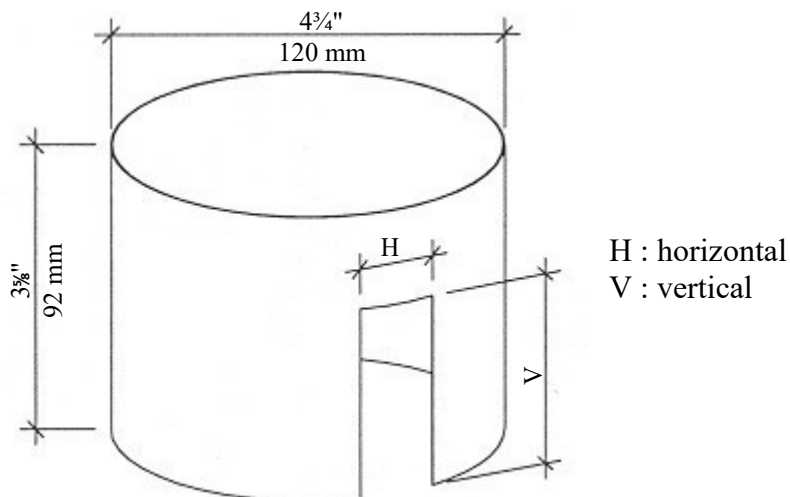
θ : Standard diameter of *Murphco* copper drain available.

ULTRA VANDEX COPPER ROOF DRAIN

OPTION: CONTROL-FLOW (CONT'D)

- 1: Diameter of the drain or of the existing interior rainwater leader (refer to the smallest diameter).
The calculations are based on the average of the nominal values.
- 2: Refer to the technical data sheets of *Murphco Ultra** copper drain.
- 3: The U-Flow™ seal reduces the diameter when installed:
 - 16 mm ($\frac{5}{8}$ ") for the drain of 67 mm ($2\frac{5}{8}$ ") diameter
 - 25 mm (1") for the drain of 92 mm ($3\frac{5}{8}$ ") diameter
 - 17 mm ($\frac{11}{16}$ ") for the drain of 117 mm ($4\frac{5}{8}$ ") diameter
 - 20 mm ($\frac{3}{4}$ ") for the drain of 143 mm ($5\frac{5}{8}$ ") diameter
- 4: Others:
 - Clamp collar
 - Flexible coupling sleeve
 - Bituminous cement joint
- 5: Notch opening to be cut on site in the control-flow cylinder.
- 6: When more than one, divide up equally around the cylinder.

CONTROL-FLOW DIMENSIONS



Application field: The plumbing installation should be made in conformity with the appropriate provincial, territorial or municipal rules or, in absence of such regulation, with the current Canadian Plumbing Code.

ULTRA VANDEX COPPER ROOF DRAIN

DESIGNED AND MANUFACTURED BY LES PRODUITS MURPHCO LTÉE

Technical assistance or further information may be obtained from:



Manufacturier et spécialiste de drains de toiture

Boutique de Métal en feuille

4955, rue Brock Montréal, Qc, H4E 1B5

Tél : (514) 937-3275 Fax : (514) 937-6797

Site web : www.produitsmurphco.com Courriel : info@produitsmurphco.com

DOCUMENTATION PREPARED WITH THE TECHNICAL COOPERATION OF:

Englobe

1200, boul. Saint-Martin Ouest, bureau 400

Laval (Québec) H7S 2E4

T 514.281.5173

F 450.668.5532

info@englobecorp.com

NOTICE

The information and specification provided in this document are applicable at time of publication. They are condensed from the exact results obtained through real tests and field experience but may not be construed as implying any absolute and final dictate on our part. **Les Produits MURPHCO Ltée** Reserves the right to modify, without notice, the information provided in the present document, as a result of its research and development policy on its products.
